

SPARE PARTS CATALOG

OFFICE PRO 18



MOVINCOOL®
THE #1 SPOT COOLING SOLUTION

Table of Contents

No.	UNIT PART NUMBER	PRODUCTION PERIOD	REFRIGERANT	SECTION	ISSUE DATE (mm/yy)
1	GX484000-3710	FROM April 2007 (0407) TO Present	R410A	Page 3 ~ 13 SP0023-00	07/08
2	LA484000-3400	FROM October 2002 (1002) TO March 2007 (0307)	R22	Page 15 ~ 25 SP0022-00	07/08
	LA484000-2911				

© 2008 DENSO SALES CALIFORNIA, INC.

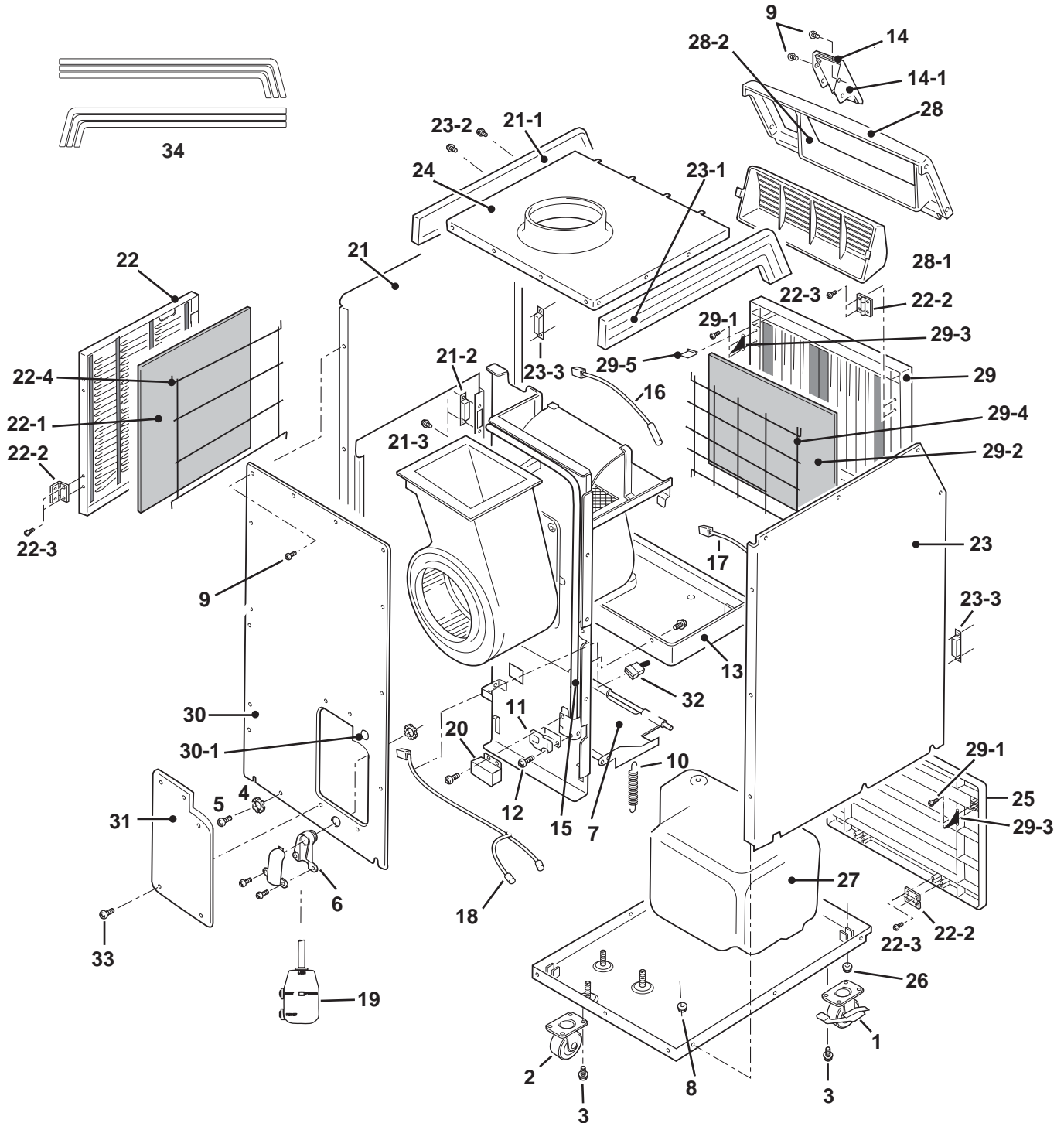
All rights reserved. This book may not be reproduced or copied, in whole or in part, without the written permission of the publisher. DENSO SALES CALIFORNIA, INC. reserves the right to make changes without prior notice. MovinCool is a registered trademark of DENSO Corporation.

OFFICE PRO 18

Unit Part No: GX484000-3710

Production Period: From April 2007 (0407)
To Present

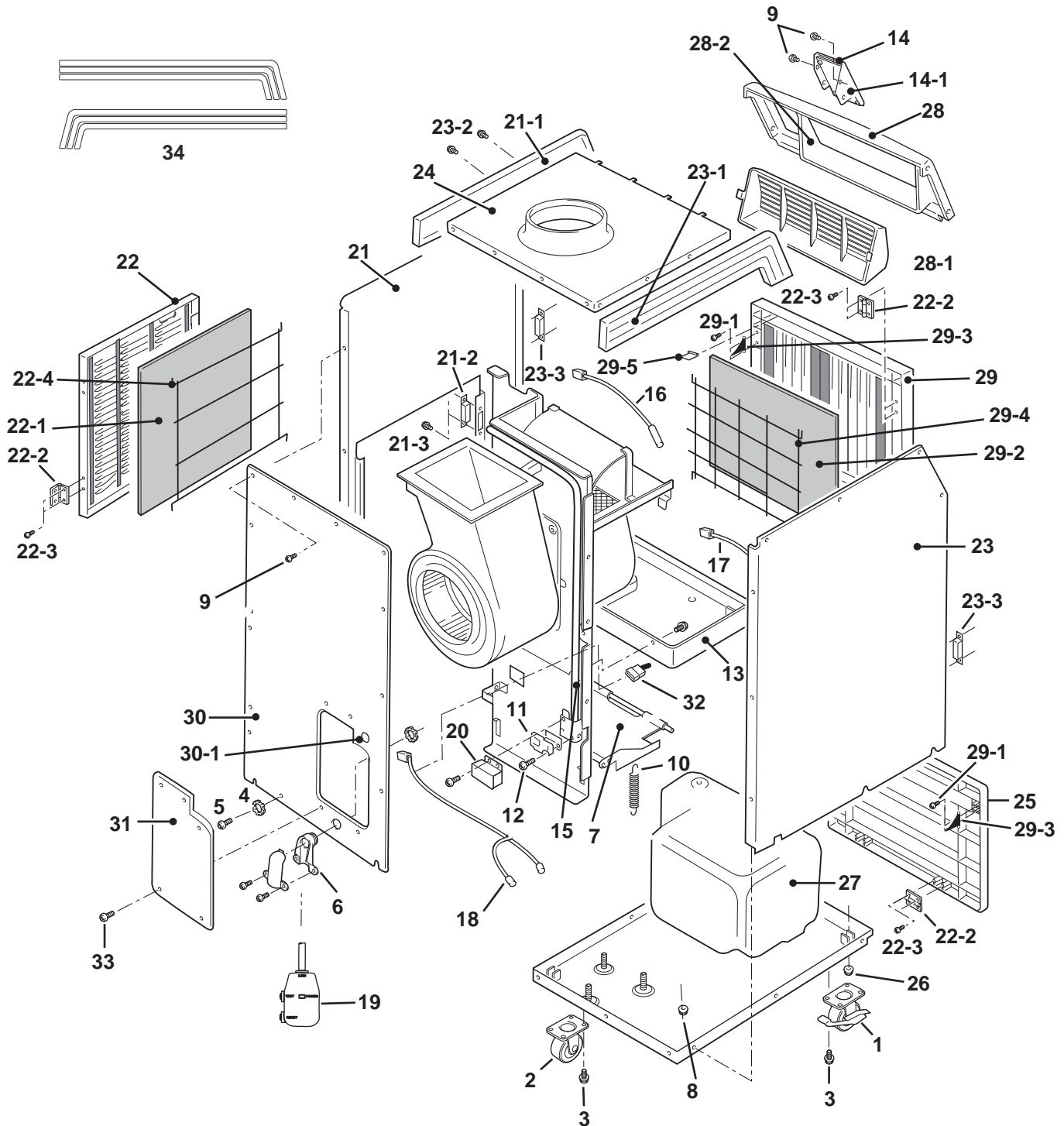
OFFICE PRO 18



OFFICE PRO 18

ILL. NO.	DESCRIPTION	PART NO.	QTY.	MODIFICATION DATE (mm/yy)	REMARKS
1	Caster w/Brake	LA484702-0330	2		
2	Caster	LA484702-0340	2		
3	Bolt w/Washer	91510-08141	8		M8x1.25, L=14
4	Washer, Plate	90201-06400	1		Ground
5	Screw	90051-06120	1		Ground (M6x1, L=12)
6	Connector (Retainer, Power Cord)	LA484506-0090	1		
7	Frame Sub-Assy	LA484310-3600	1		For Drain Tank
8	Nut	949056-1501	7		M4x0.7
9	Screw	949006-5850	49		M4x0.7, L=10
10	Spring, Tension Coil	949171-2090	2		For Drain Tank
11	Switch, Drain Tank	LA484502-0380	1		For Drain Tank
12	Screw w/Washer	91310-03161	2		M3x0.5, L=16
13	Pan Assy, Drain	LA484430-0120	1		
14	Switch Assy	GX484560-1822	1		Operation Panel & PCB w/ILL.NO.14-1
14-1	Cover Assy	GX484420-0500	1		Operation Panel
15	Wire Assy	GX484930-9122	1		Main Harness (RB)↔(CB)
16	Thermistor, Room Temperature	LAY84532-0021	1		
17	Thermistor, Anti-Freeze Up	LAY84532-0011	1		
18	Wire Assy, Drain Pump	LA484930-8330	1		
19	Wire Assy, Power Cord	LA484930-8680	1		
20	Cover	LA484391-1870	1		
21	Panel Assy	GX484410-8370	1		w/ILL.NO.21-1~21-3
21-1	Right Handle	LA484450-0051	1		
21-2	Holder (Magnet Type)	484927-0990	2		
21-3	Screw	949006-4440	4		M3x0.5, L=8
22	Panel Assy	GX484410-8130	1		Filter Panel Condenser w/ILL.NO.22-1~22-4
22-1	Filter (Condenser)	484401-1660	1		
22-2	Hinge	LA484912-0040	6		
22-3	Screw	949006-3300	22		M3x0.5, L=6
22-4	Wire Frame (Condenser)	GX484310-5040	1		
23	Panel Assy, Left	GX484410-8430	1		w/ILL.NO.23-1~23-3
23-1	Left Handle	LA484450-0061	1		
23-2	Screw, Tapping	949001-3530	23		D4, L=10
23-3	Catch	LA481922-0030	3		Door Hook
24	Panel Assy, Top Rear	LA484410-5021	1		
25	Panel Assy, Drain Tank	LA484410-5031	1		w/ILL.NO.22-2~22-3, 29-1, 29-3
26	Nut	91160-03241	4		M3x0.5
27	Tank, Drain	484731-0021	1		

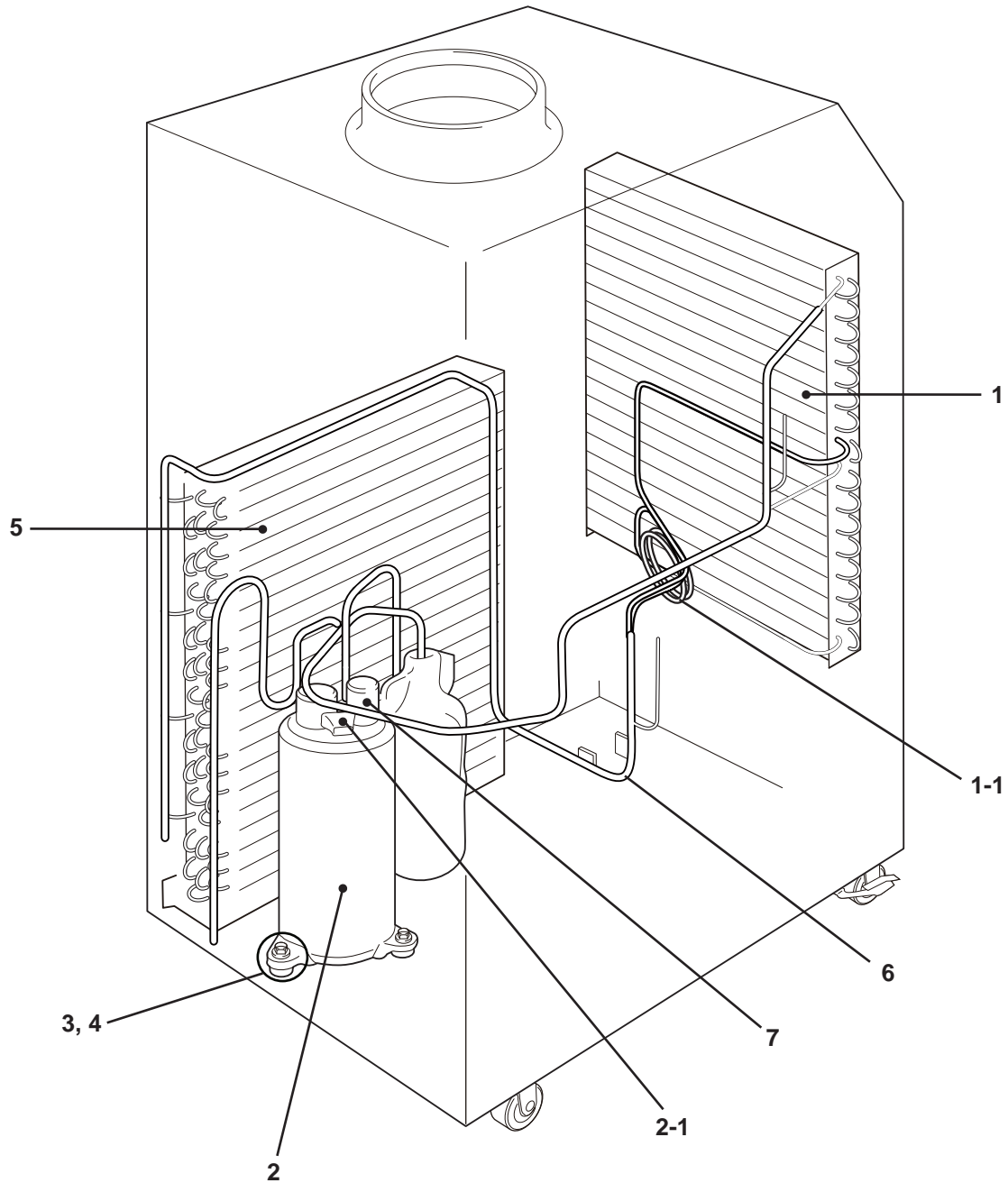
OFFICE PRO 18



OFFICE PRO 18

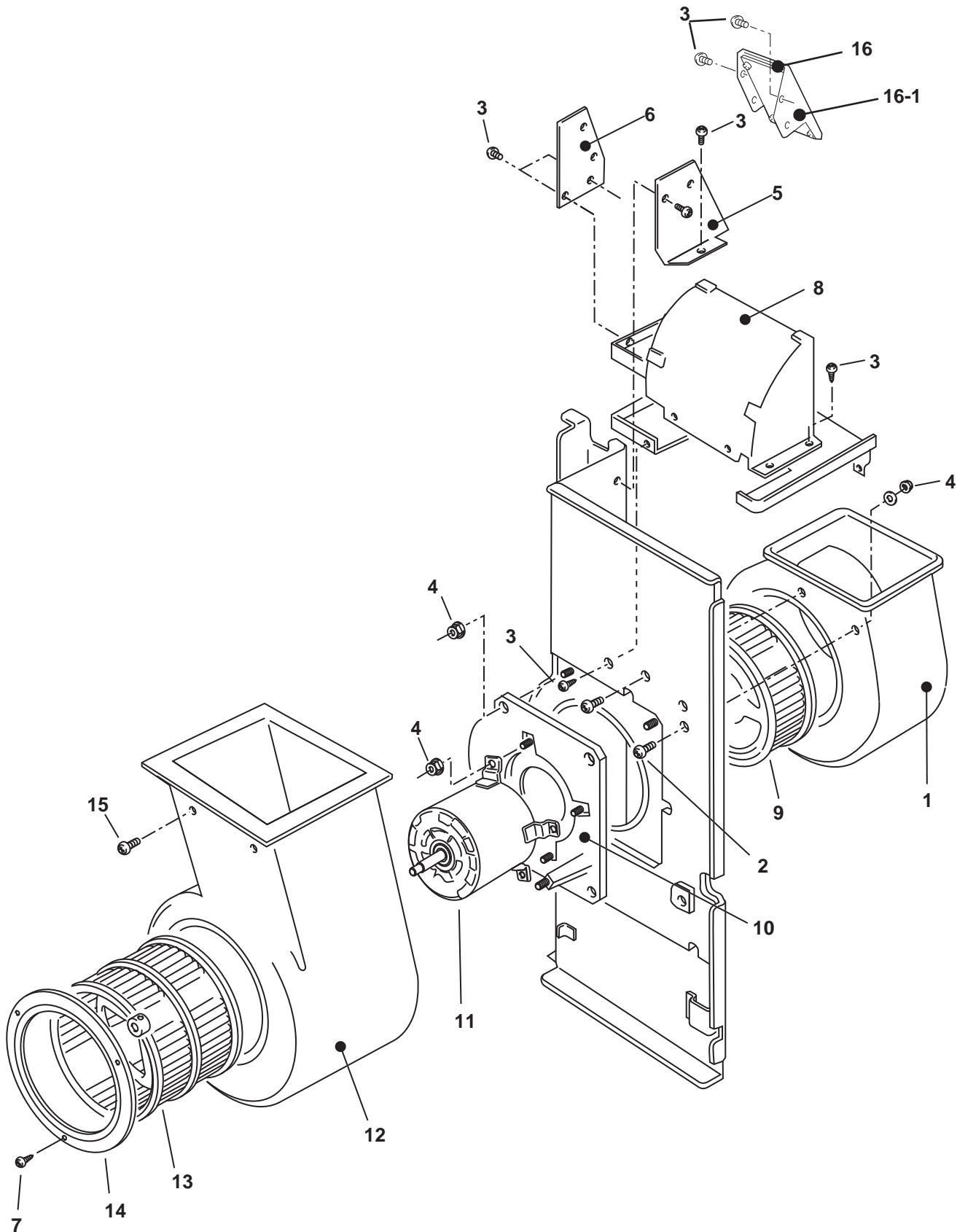
ILL. NO.	DESCRIPTION	PART NO.	QTY.	MODIFICATION DATE (mm/yy)	REMARKS
28	Panel Assy, Top Front	LA484410-5041	1		w/ILL.NO.28-1~28-2
28-1	Air Louver, Outlet	LA480431-0091	1		
28-2	Pin	LA484913-0070	2		
29	Panel Assy, Front Filter	LAY84410-0021	1		w/ILL.NO.22-2~22-3, 29-1~29-5
29-1	Screw, Tapping	LA949001-1730	6		D4, L=16
29-2	Filter	LA484401-1160	1		
29-3	Holder	LA484927-1010	3		Door Hook
29-4	Wire Frame (Evaporator)	LAY84310-0020	1		
29-5	Clip	LAY84917-0050	2		Holder, Wire Frame
30	Panel Assy, Rear	GX484410-8400	1		w/ILL.NO.30-1
30-1	Cap Cover	GX484926-0700	1		
31	Panel Assy, Service	GX484410-8410	1		
32	Connector, Jumper	LA484930-8160	1		Drain Pump
33	Screw w/Washer	480919-0370	20		M4x0.7, L=10
34	Stripe Kit Assy	LA484003-1110	1		6 each (Both Sides)

OFFICE PRO 18



ILL. NO.	DESCRIPTION	PART NO.	QTY.	MODIFICA- TION DATE (mm/yy)	REMARKS
1	Core Assy, Evaporator	GX484600-2180	1		w/ILL.NO.1-1
1-1	Pipe Assy, Capillary	GX484800-4180	1		
2	Compressor Assy	GX484650-2610	1		w/ILL.NO.2-1, 7
2-1	Wire Assy	GX484930-9110	1		
3	Washer, Steel Plate	949011-5330	3		
4	Nut	90190-08651	3		M8x1.25
5	Core Assy, Condenser	GX484600-2130	1		
6	Pipe Assy, Connecting	GX484800-4200	1		
7	Overload Relay	GX484501-0410	1		Inside Compressor Cover

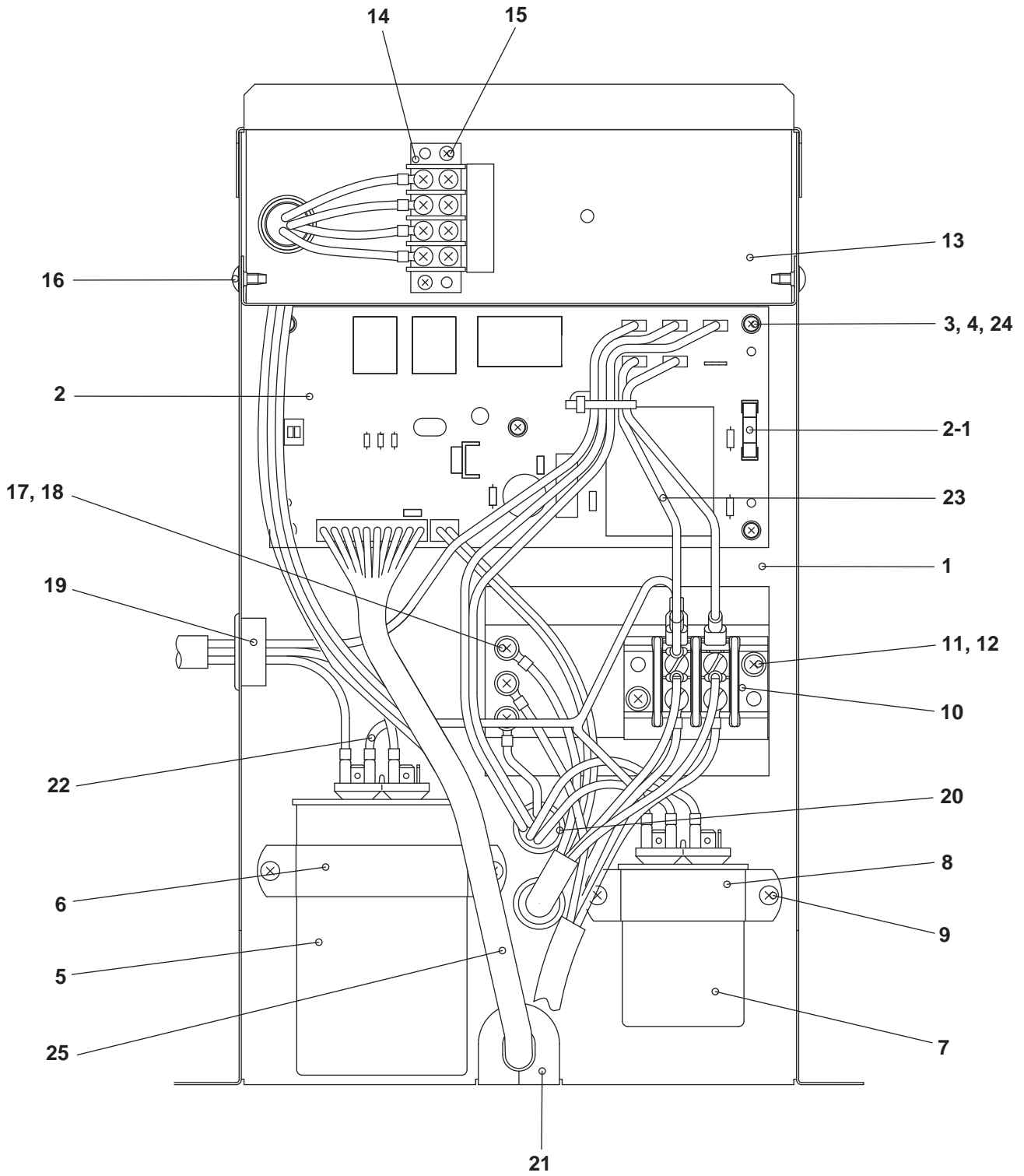
OFFICE PRO 18



OFFICE PRO 18

ILL. NO.	DESCRIPTION	PART NO.	QTY.	MODIFICATION DATE (mm/yy)	REMARKS
1	Casing, Evaporator Fan	LA484261-0260	1		
2	Screw w/Washer	91370-06161	4		M6x1, L=16
3	Screw	949006-5850	10		M4x0.7, L=10
4	Nut	949056-1430	12		M6x1
5	Stay, Control Panel Left	GX484340-3040	1		
6	Stay, Control Panel Right	LA484331-6670	1		
7	Screw w/Washer	91370-04101	4		M4x0.7, L=10
8	Stay Sub-Assy	LA484340-0920	1		
9	Fan, Evaporator	LA484221-0360	1		w/Set Screw
10	Motor Stay	LA484330-0500	1		
11	Fan Motor	LA484211-1343	1		
12	Casing Assy, Condenser Fan	LA484260-0310	1		
13	Fan, Condenser	LA484221-0370	1		w/Set Screw
14	Ring Sub-Assy	LA484280-0090	1		
15	Screw w/Washer	949007-3600	2		M4x0.7, L=16
16	Switch Assy	GX484560-1822	1		Operation Panel & PCB w/ILL.NO.16-1
16-1	Cover Assy	GX484420-0500	1		Operation Panel

OFFICE PRO 18



OFFICE PRO 18

ILL. NO.	DESCRIPTION	PART NO.	QTY.	MODIFICATION DATE (mm/yy)	REMARKS
1	Box Sub-Assy	GX484520-1071	1		
2	Relay Board	GX484500-3580	1		w/ILL.NO.2-1
2-1	Fuse, Relay Board	LAY65765-0030	1		250mA, 250V
3	Spacer	LA484921-0150	5		
4	Screw w/Washer	91370-03081	5		M3x0.5, L=8
5	Capacitor, Compressor	GX484507-1650	1		370VAC, 60μF
6	Holder	LA484927-1020	1		
7	Capacitor, Fan	LA484507-0890	1		370VAC, 7.5μF
8	Holder	LA484927-0880	1		
9	Screw	949006-3250	4		M4x0.7, L=10
10	Terminal Block	LA484503-040A	1		For Power
11	Screw	949006-3280	2		M4x0.7, L=18
12	Washer, Plate	90200-04331	2		
13	Bracket	GX484391-2220	1		
14	Terminal Block	GX484503-0840	1		For Input/Output Signal
15	Screw w/Washer	91310-03161	2		M3x0.5, L=16
16	Screw	949006-5850	4		M4x0.7, L=10
17	Screw	91051-04100	3		Ground (M4x0.7, L=10)
18	Washer, Plate	90201-04300	3		Ground
19	Grommet	LA484926-0490	1		
20	Grommet	LA484926-0500	3		
21	Grommet	484926-0290	1		
22	Wire Assy	LA484930-5222	1		Capacitor
23	Wire Assy	LA484930-523A	1		(TB)↔(RB)
24	Washer, Plate	90200-03211	5		
25	Wire Assy	GX484930-9122	1		Main Harness (RB)↔(CB)

[Memo]

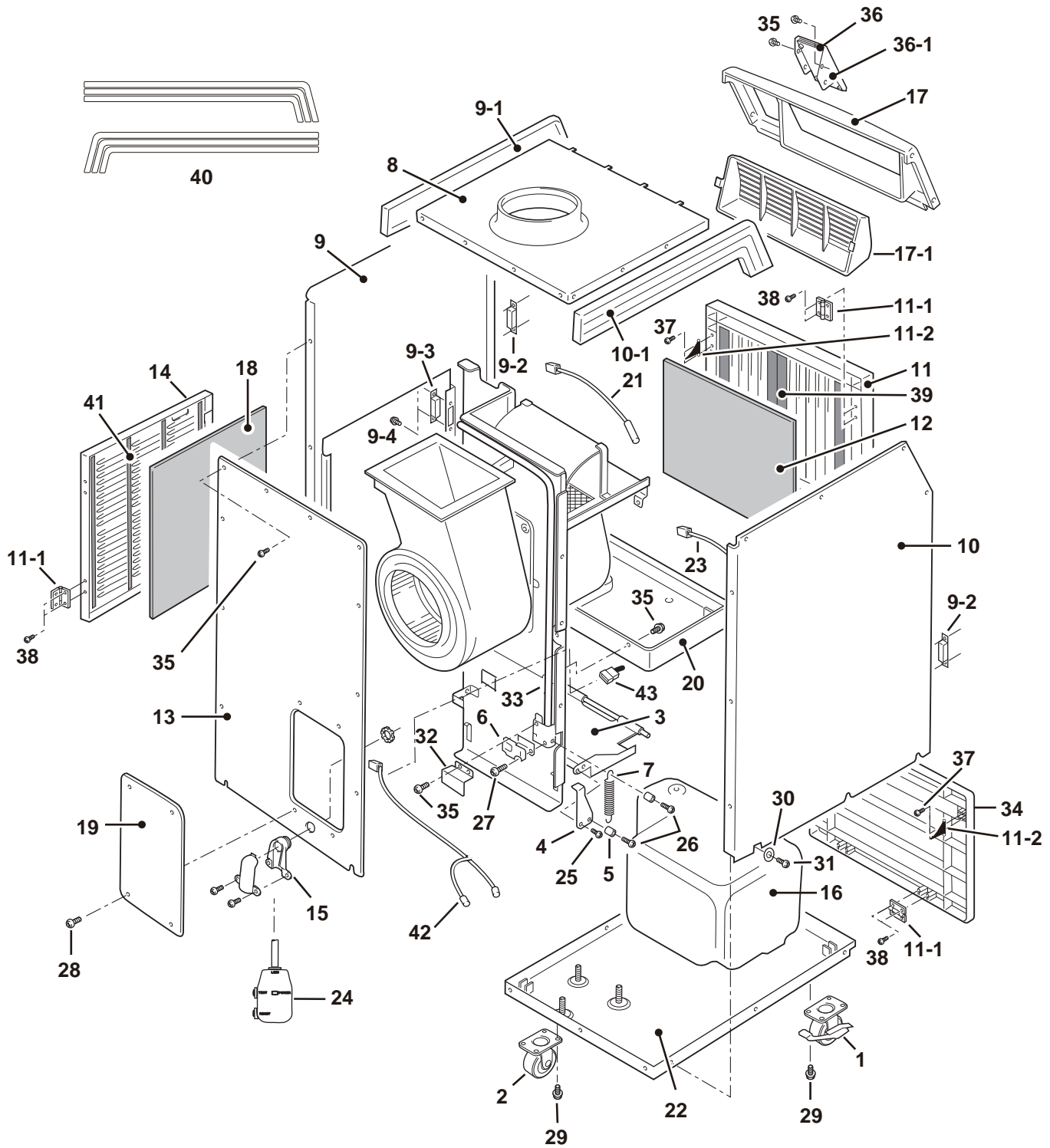
OFFICE PRO 18

Unit Part No: LA484000-3400

LA484000-2911

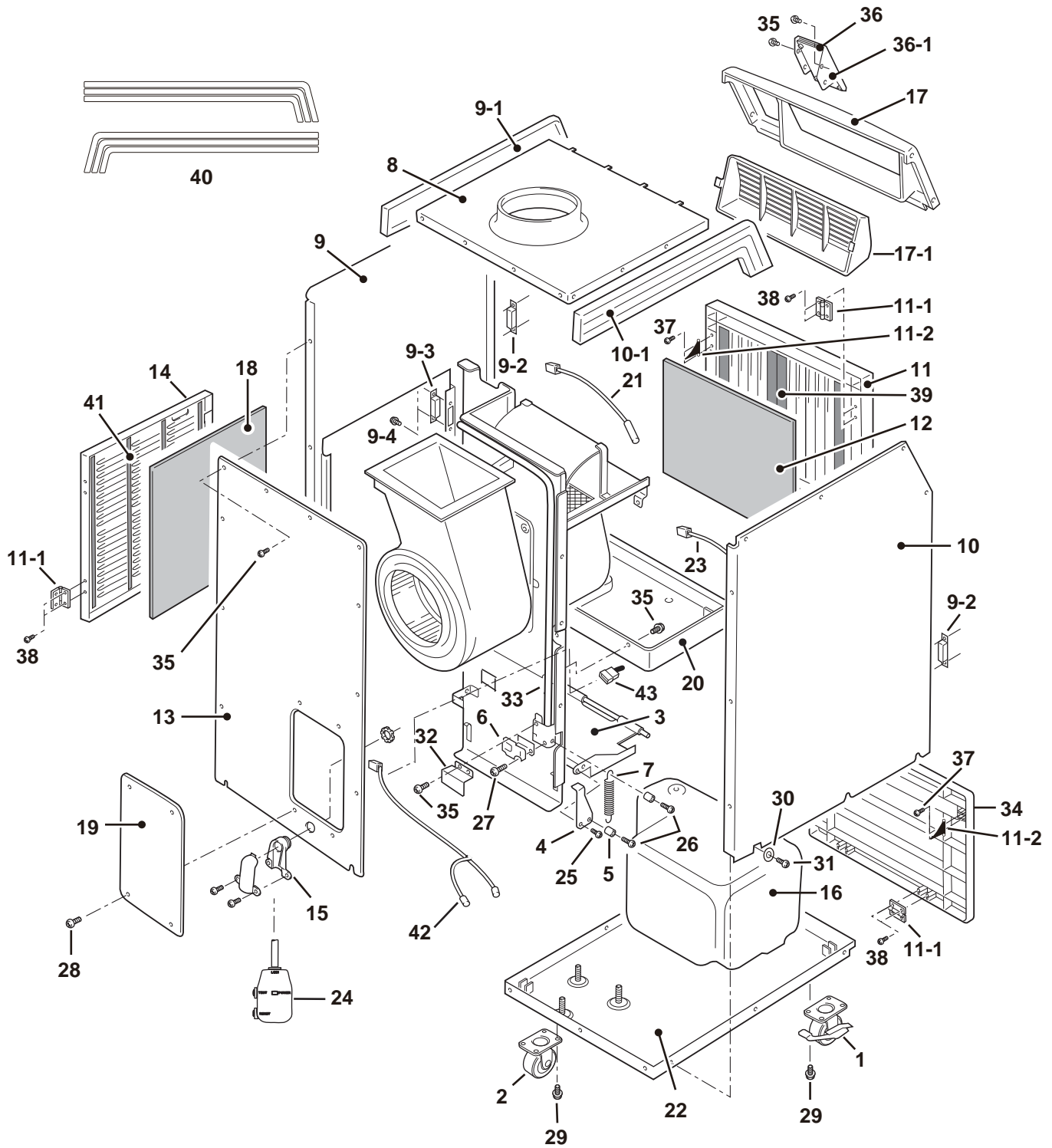
Production Period: From October 2002 (1002)
To March 2007 (0307)

OFFICE PRO 18



ILL. NO.	DESCRIPTION	PART NO.	QTY.	MODIFICATION DATE (mm/yy)	REMARKS
1	Caster w/Brake	LA484702-0330	2		
2	Caster	LA484702-0340	2		
3	Frame Sub-Assy (Drain Tank)	LA484310-3600	1	From 01/03	
		LAY84310-0010	1	To 12/02	
4	Bracket	LA484321-0510	1	To 12/02	
5	Socket	480837-0030	4	To 12/02	
6	Switch Assy, Drain Tank	LA484502-0380	1		
7	Spring, Tension Coil	949171-2090	2		
8	Panel, Top Rear	LA484410-5021	1		
9	Panel, Right	LA484410-6520	1		w/Right Handle and Catch w/ILL.NO.9-1~9-4
9-1	Right Handle	LA484450-0051	1		
9-2	Catch	LA481922-0030	4		
9-3	Holder (Magnet Type)	484927-0990	2		
9-4	Screws	949006-4440	4		M3x0.5, L=8
10	Panel, Left	LA484410-6730	1		w/Left Handle and Catch w/ILL.NO.10-1
10-1	Left Handle	LA484451-0061	1		
11	Panel Assy, Front Filter (Evap.)	LAY84410-0021	1		w/ILL.NO.11-1~11-2
11-1	Hinge	LA484912-0040	6		
11-2	Holder (Hook Type)	LA484927-1010	4		
12	Filter (Evap.)	LA484401-1160	1		
13	Panel, Rear	LA484410-6431	1		
14	Panel Assy, Side Filter (Cond.)	LA484410-5550	1		
15	Retainer, Power Cord	LA484506-0090	1		
16	Tank, Drain	484731-0021	1		
17	Panel Assy, Top Front	LA484410-5041	1		w/Packing and Pins w/ILL.NO.17-1
17-1	Air Louver, Outlet	LA480431-0091	1		
18	Filter (Condenser)	LA484401-1220	1		
19	Panel, Service	LA484410-7640	1	From 05/05	
		LA484410-6440	1	To 04/05	
20	Drain Pan Assy	LA484430-0120	1		
21	Thermistor, Room Temp	LAY84532-0021	1		
22	Frame Sub-Assy (Base)	LA484310-4830	1	From 05/05	
		LA484310-297A	1	To 04/05	
23	Thermistor, Anti-Freeze Up	LAY84532-0011	1		
24	Power Cord Assy	LA484930-8680	1	From 05/05	
		LA484930-8390	1	To 04/05	
25	Screw w/Washer	91370-04101	1		M4x0.7, L=10
26	Screw	91060-04161	4		M4x0.7, L=16
27	Screw w/Washer	91310-03161	2		M3x0.5, L=16

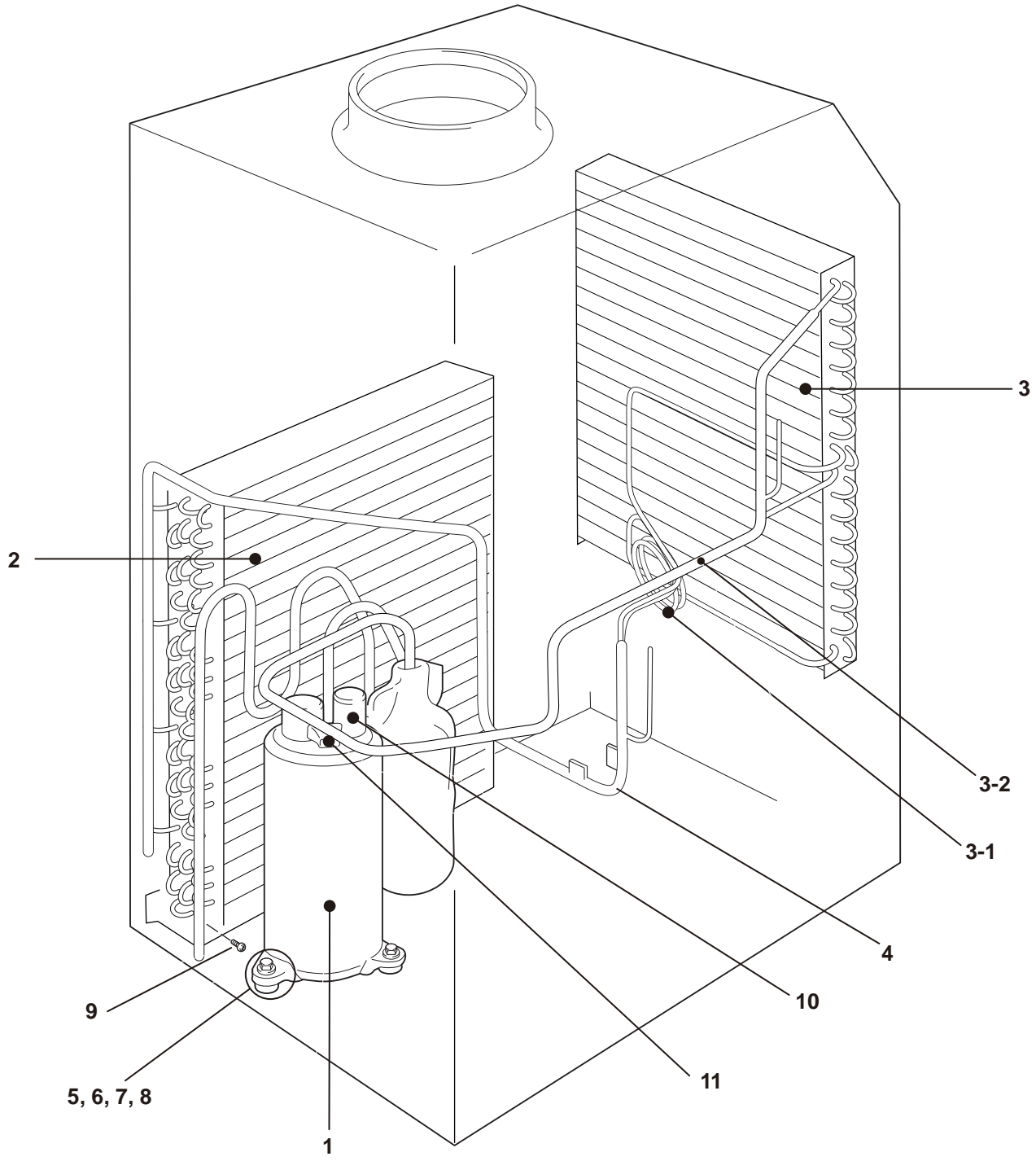
OFFICE PRO 18



OFFICE PRO 18

ILL. NO.	DESCRIPTION	PART NO.	QTY.	MODIFICATION DATE (mm/'yy)	REMARKS
28	Screw	480919-0370	27		M4x0.7, L=10
29	Bolt w/Washer	91510-08141	8		M8x1.25, L=14
30	Washer, Plate	90201-06400	1		Ground
31	Screw	90051-06120	1		Ground (M6x1, L=12)
32	Cover, Drain Switch	LA484391-1860	1		
33	Wire Harness	LA484930-6850	1		(RB)↔(CB)
34	Drain Tank, Panel Assy	484410-5031	1		
35	Screw	949006-5850	42		M4x0.7, L=10
36	Switch Assy	LA484560-1561	1		Operation Panel & PCB w/ILL.NO.36-1
36-1	Cover, Assy	GX484420-0550	1		Operation Panel
37	Screw, Tapping	LA949001-1730	8		D4, L=16
38	Screw	949006-3300	12		M3x0.5, L=6
39	Velcro	LA484311-2110	4		Evaporator
40	Stripe Kit Assy	LA484003-1110	1		6 each (Both Sides)
41	Velcro	LA484311-2071	4		Condenser
42	Wire Assy	LA484930-8330	1	From 06/'05	For LA484000-3400 Unit
43	Connector, Jumper	LA484930-8160	1	From 06/'05	For LA484000-3400 Unit

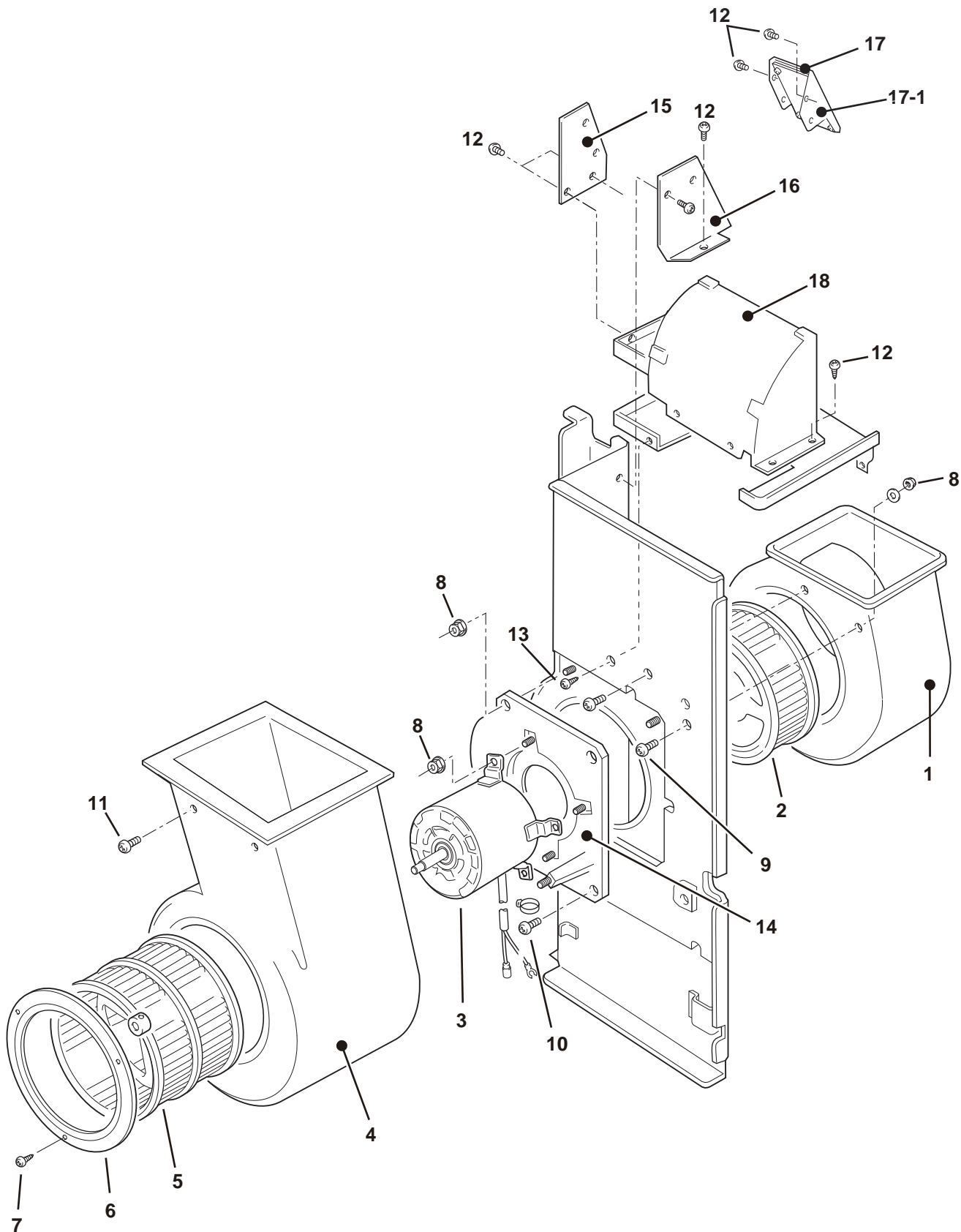
OFFICE PRO 18



OFFICE PRO 18

ILL. NO.	DESCRIPTION	PART NO.	QTY.	MODIFICATION DATE (mm/yy)	REMARKS
1	Compressor Assy	LA484650-1811	1		
2	Core Assy, Condenser	LA484600-1631	1		
3	Core Assy, Evaporator	LA484600-1621	1		w/ILL.NO.3-1~3-2
3-1	Pipe Assy, Capillary	LA484800-3340	1		
3-2	Pipe Assy, Evap. Outlet	LA484800-3331	1		
4	Pipe Assy, Connecting	LA484800-3350	1		
5	Cushion	LA484904-0240	3		
6	Collar, Steel	LA484915-0320	3		
7	Washer, Steel Plate	949011-5330	3		
8	Nut	90190-08651	3		M8x1.25
9	Screw, Tapping	949001-1570	6		D4, L=10
10	Cover	LA484391-1630	1		
11	Wire Assy	LA484930-6822	1		

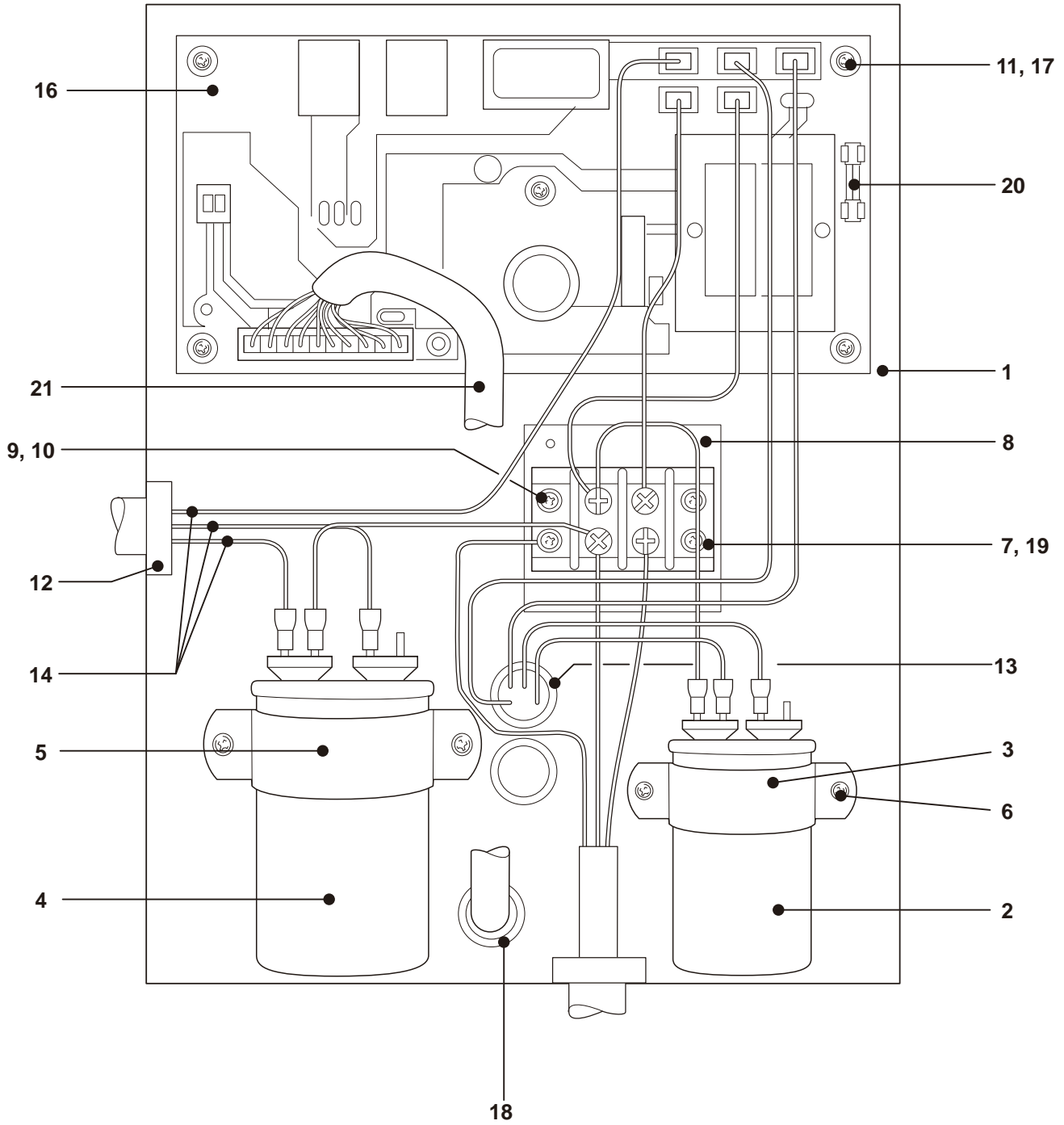
OFFICE PRO 18



OFFICE PRO 18

ILL. NO.	DESCRIPTION	PART NO.	QTY.	MODIFICATION DATE (mm/yy)	REMARKS
1	Casing, Evaporator Fan	LA484261-0260	1		
2	Fan, Evaporator	LA484221-0360	1		w/Set Screw
3	Fan Motor	LA484211-1343	1		
4	Casing Assy, Condenser Fan	LA484260-0310	1		
5	Fan, Condenser	LA484221-0370	1		w/Set Screw
6	Ring Sub-Assy	LA484280-0090	1		
7	Screw w/Washer	91370-04101	3		M4x0.7, L=10
8	Nut	949056-1430	8		M6x1
9	Screw w/Washer	91370-06161	4		M6x1, L=16
10	Screw w/Washer	91370-06121	5		M6x1, L=12
11	Screw w/Washer	949007-3600	2		M4x0.7, L=14
12	Screw	949006-5850	8		M4x0.7, L=10
13	Screw, Tapping	949001-1570	6		D4, L=10
14	Motor Stay	LA484330-0500	1		
15	Stay, Control Panel Right	LA484331-6670	1		
16	Stay, Control Panel Left	GX484340-3040	1		
17	Switch Assy	LA484560-1561	1		Operation Panel & PCB w/ILL.NO.17-1
17-1	Cover Assy	GX484420-0550	1		Operation Panel
18	Stay Sub-Assy	LA484340-0920	1		

OFFICE PRO 18



OFFICE PRO 18

ILL. NO.	DESCRIPTION	PART NO.	QTY.	MODIFICATION DATE (mm/yy)	REMARKS
1	Box Sub-Assy, Control	LA484520-0870	1		
2	Capacitor, Fan	LA484507-0890	1		7.5 μ F, 370VAC
3	Holder	LA484927-0880	1		
4	Capacitor, Compressor	LA484507-1230	1		50 μ F, 370VAC
5	Holder	LA484927-0890	1		
6	Screw	949006-3250	4		M4x0.7, L=10
7	Screw	949006-3280	2		M4x0.7, L=18
8	Terminal Block	LA484503-040A	1		(TB)
9	Screw	91051-04100	3		M4x0.7, L=10
10	Washer, Plate	90201-04300	3		
11	Screw w/Washer	91370-03081	5		M3x0.5, L=8
12	Grommet	LA484926-0490	1		
13	Grommet	LA484926-0500	2		
14	Wire Assy	LA484930-6822	1		Compressor
16	Relay Board Assy	LA484500-3061	1		(RB) 115V
17	Spacer	LA484921-0150	5		
18	Grommet	484926-0290	1		
19	Washer, Plate	90200-04331	2		
20	Fuse, Relay Board	LAY65765-0030	1		250mA, 250V
21	Wire Harness Assy	LA484930-6850	1		Main

DENSO

DENSO SALES CALIFORNIA, INC.

Long Beach, CA 90810

www.movincool.com

First Issue: July 2008