

SPARE PARTS CATALOG

OFFICE PRO 36



MOVINCOOL®
THE #1 SPOT COOLING SOLUTION

Table of Contents

No.	UNIT PART NUMBER	PRODUCTION PERIOD	REFRIGERANT	SECTION	ISSUE DATE (mm/yy)
1	GX484000-3700	FROM April 2007 (0407) TO Present	R410A	Page 3 ~ 13 SP0021-00	07/08
2	LA484000-3460	FROM December 2004 (1204) TO March 2007 (0307)	R22	Page 15 ~ 25 SP0020-00	07/08

© 2008 DENSO SALES CALIFORNIA, INC.

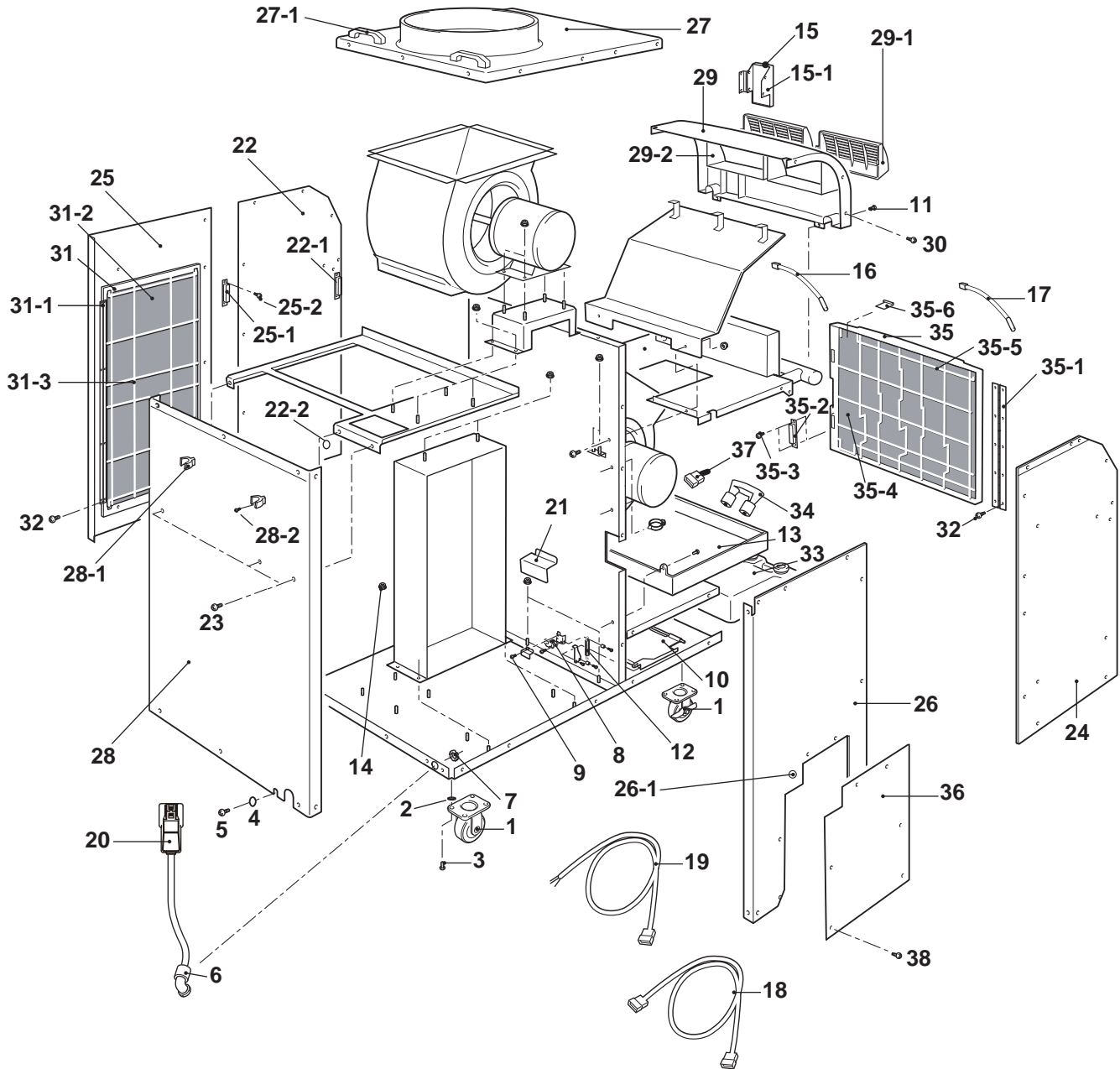
All rights reserved. This book may not be reproduced or copied, in whole or in part, without the written permission of the publisher. DENSO SALES CALIFORNIA, INC. reserves the right to make changes without prior notice. MovinCool is a registered trademark of DENSO Corporation.

OFFICE PRO 36

Unit Part No: GX484000-3700

Production Period: From April 2007 (0407)
To Present

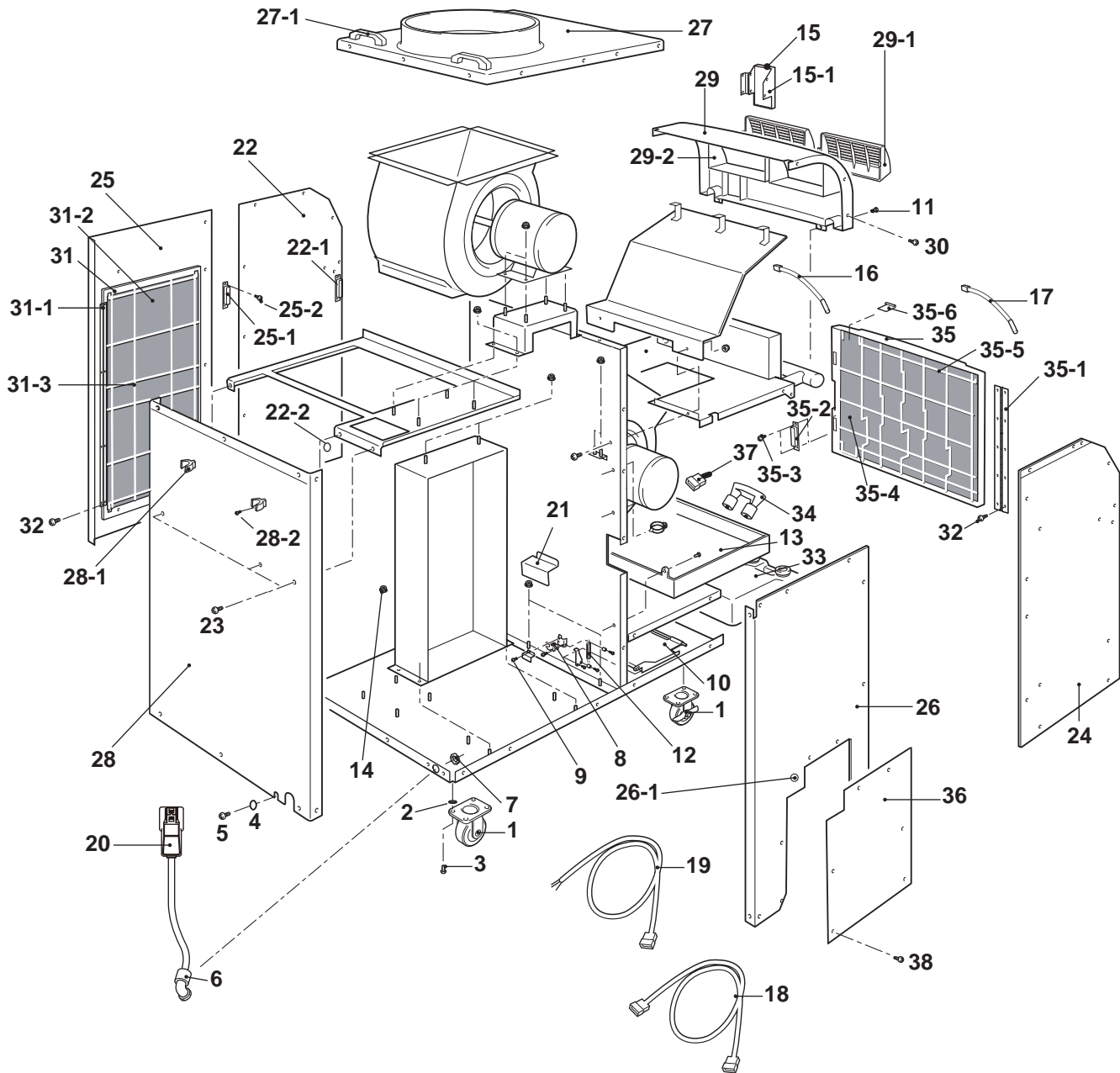
OFFICE PRO 36



OFFICE PRO 36

ILL. NO.	DESCRIPTION	PART NO.	QTY.	MODIFICATION DATE (mm/yy)	REMARKS
1	Caster w/Brake	LA484702-0350	4		
2	Plate	LA484311-2440	16		
3	Nut	LA480929-0140	16		M10x1.5
4	Washer, Plate	90201-06400	1		Ground
5	Screw	90051-06120	1		Ground (M6x1, L=12)
6	Connector (Retainer, Power Cord)	LA484784-0040	1		
7	Nut, Holder (Retainer, Power Cord)	LA484919-0100	1		
8	Switch, Drain Tank	LA484502-0380	1		For Drain Tank
9	Screw w/Washer	91310-03161	2		M3x0.5, L=16
10	Frame Assy	LA484300-1650	1		For Drain Tank
11	Screw	949006-5850	22		M4x0.7, L=10
12	Clip	484917-0280	2		For Drain Tank
13	Pan Assy, Drain	LA484430-0570	1		
14	Nut	949056-1430	16		M6x1
15	Switch Assy	GX484560-1832	1		Operation Panel & PCB w/ILL.NO.15-1
15-1	Cover Assy	GX484420-0520	1		Operation Panel
16	Thermistor, Room Temperature	LAY84532-0021	1		
17	Thermistor, Anti-Freeze Up	LA484532-0041	1		
18	Wire Assy	GX484930-9102	1		Main Harness (RB)↔(CB)
19	Wire Assy, Drain Pump	LA484930-8321	1		
20	Wire Assy, Power Cord	GX484930-9980	1		
21	Cover Sub-Assy	LAY84390-0010	1		
22	Panel Assy, Right Front	GX484410-8270	1		w/ILL.NO.22-1~22-2
22-1	Catch	LA481922-0030	2		
22-2	Grommet	LA484926-0500	1		
23	Bolt	LA480919-0290	51		M6x1, L=10
24	Panel Assy, Left Front	GX484410-8280	1		
25	Panel Assy, Right Rear	GX484410-8290	1		w/ILL.NO.25-1~25-2
25-1	Holder (Magnet Type)	484927-0990	2		
25-2	Screw	949006-4440	4		M3x0.5, L=8
26	Panel Assy, Left Rear	GX484410-8300	1		w/ILL.NO.26-1
26-1	Cap Cover	GX484926-0700	1		
27	Panel Assy, Top	GX484410-8310	1		w/ILL.NO.27-1
27-1	Handle	LA484451-0100	2		
28	Panel Assy, Rear	GX484410-8320	1		w/ILL.NO.28-1~28-2
28-1	Clip	LA484917-0470	2		For Power Cord
28-2	Bolt	LA480919-0340	2		M5x0.8, L=10
29	Panel Assy, Top Front	LA484410-6021	1		w/ILL.NO.29-1~29-2
29-1	Air Louver, Outlet	LA480431-0101	2		
29-2	Pin	LA484913-0070	6		
30	Bolt	LA480919-0330	10		M6x1, L=10

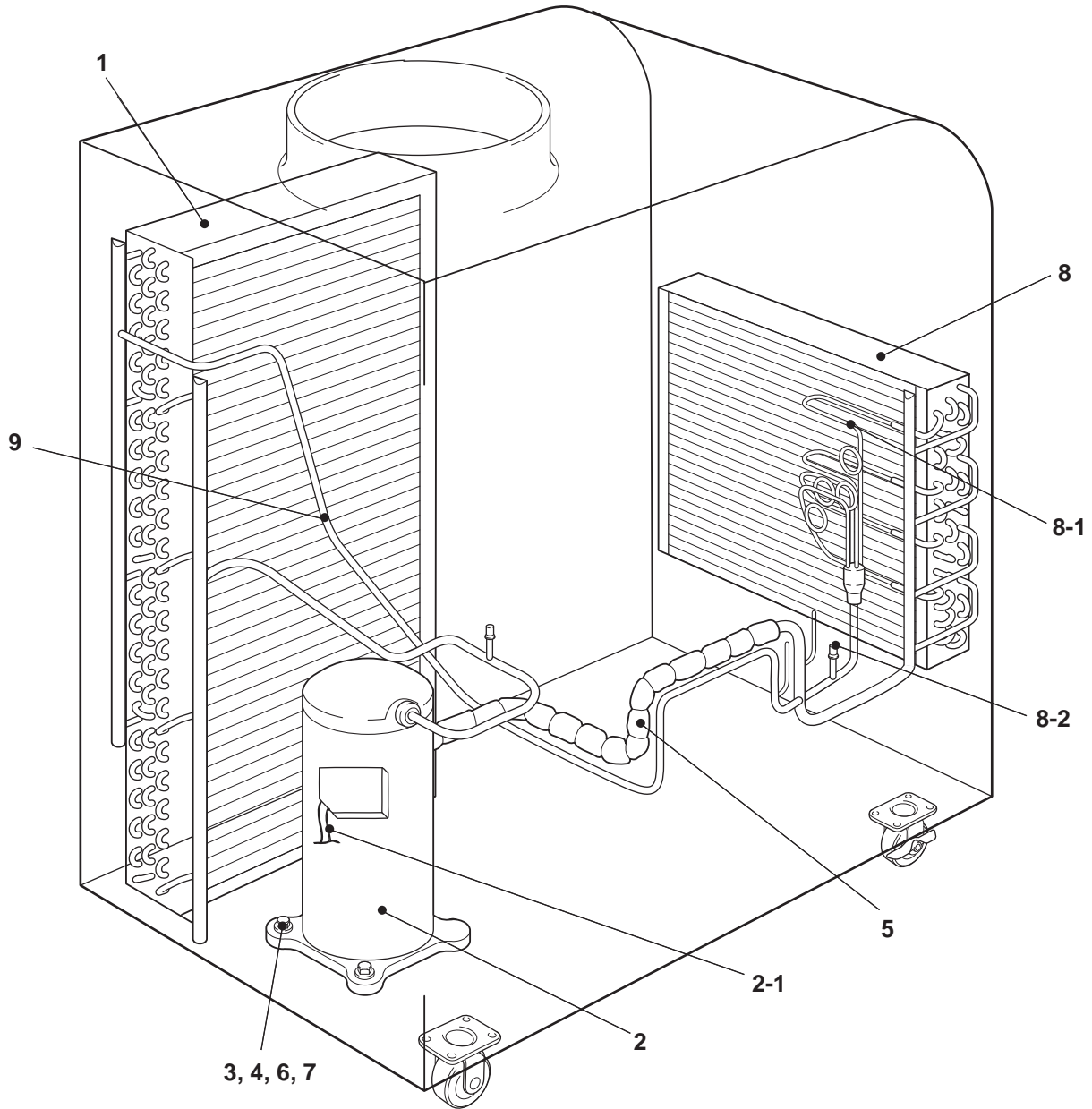
OFFICE PRO 36



OFFICE PRO 36

ILL. NO.	DESCRIPTION	PART NO.	QTY.	MODIFICATION DATE (mm/yy)	REMARKS
31	Panel Assy, Side Filter	GX484410-8330	1		w/ILL.NO.31-1~31-3
31-1	Hinge	LA484912-0062	1		For Condenser Panel
31-2	Filter (Condenser)	LA484401-1630	1		
31-3	Wire Frame (Condenser)	LA484301-4430	1		
32	Bolt	LA480919-0320	15		M4x0.7, L=8
33	Tank, Drain	484730-0010	2		
34	Float Assy	484460-0010	1		
35	Panel Assy, Front Filter	GX484410-8340	1		w/ILL.NO.35-1~35-6
35-1	Hinge	LA484912-0092	1		For Evaporator Panel
35-2	Holder	LA484927-1010	2		Door Hook
35-3	Screw, Tapping	LA949001-1730	10		D4, L=16
35-4	Filter (Evaporator)	LA484401-1640	1		
35-5	Wire Frame (Evaporator)	LA484310-4820	1		
35-6	Clip	LAY84917-0050	1		Holder, Wire Frame
36	Panel Assy, Service	GX484410-8350	1		
37	Connector, Jumper	LA484930-8181	1		Drain Pump
38	Screw w/Washer	480919-0370	19		M4x0.7, L=10

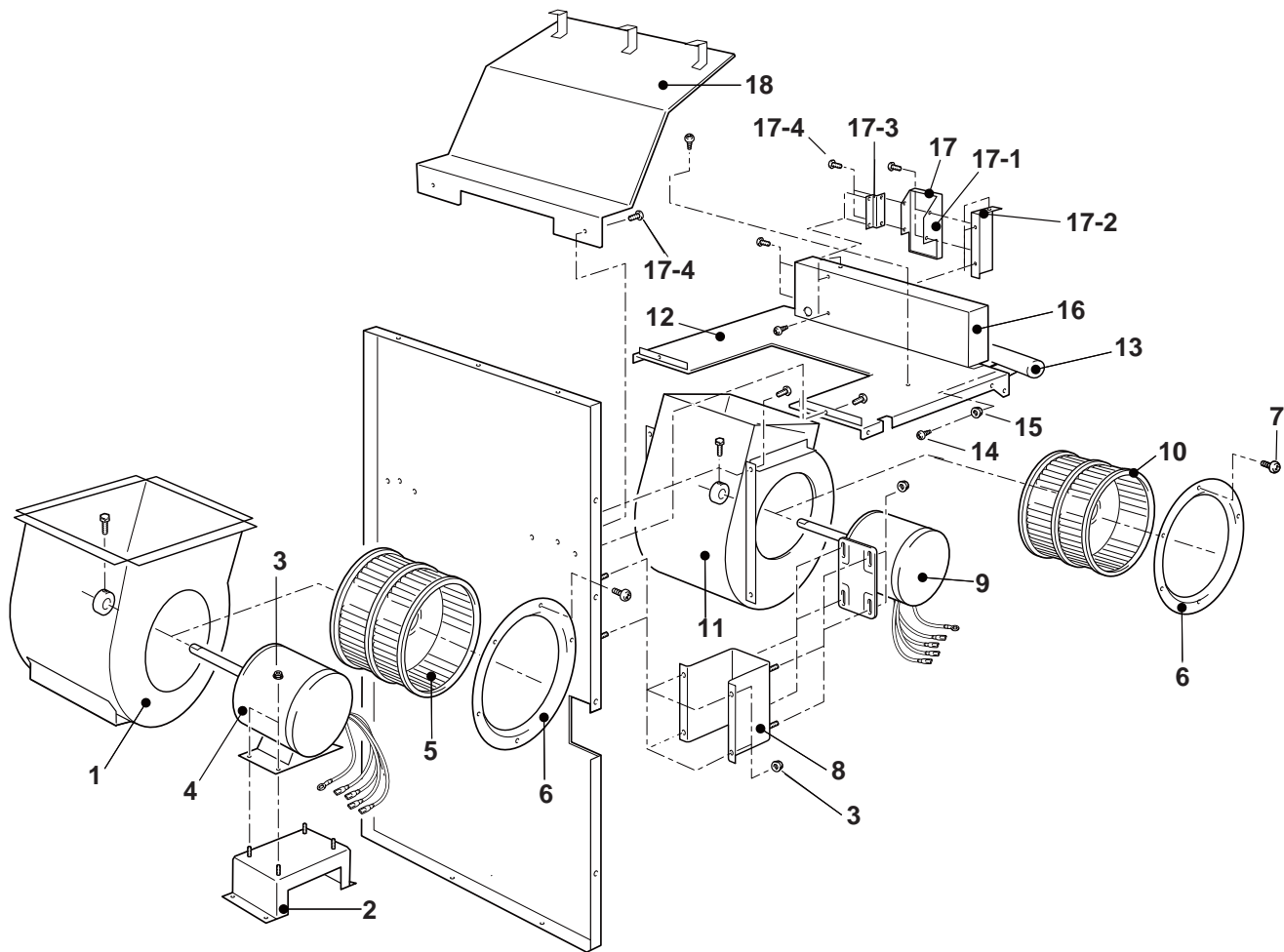
OFFICE PRO 36



OFFICE PRO 36

ILL. NO.	DESCRIPTION	PART NO.	QTY.	MODIFICATION DATE (mm/yy)	REMARKS
1	Core Assy, Condenser	GX484600-2150	1		
2	Compressor Assy	GX484650-2630	1		w/ILL.NO.2-1
2-1	Wire Assy	LA484930-8261	1		
3	Cushion	LA484904-0220	4		
4	Collar	LA484915-0280	4		
5	Pipe Assy, Connecting	GX480261-2700	1		For Suction
6	Washer, Steel Plate	949011-5330	4		
7	Nut	90190-08651	4		M8x1.25
8	Core Assy, Evaporator	GX484600-2170	1		w/ILL.NO.8-1~8-2
8-1	Pipe Assy, Capillary	GX484800-4150	1		
8-2	Switch Assy, Pressure	GX484660-0550	1		
9	Pipe Assy, Connecting	GX484800-4190	1		For Discharge

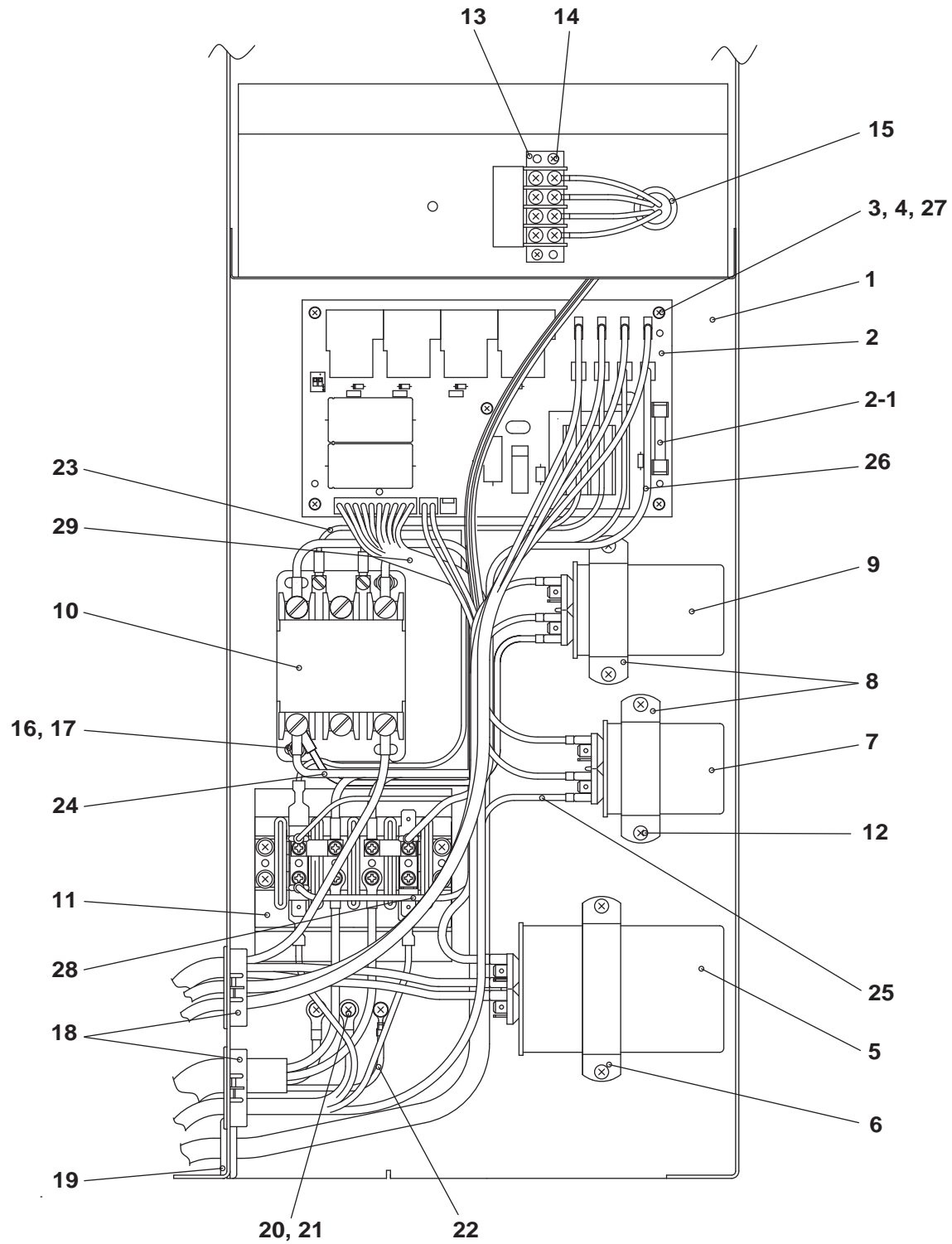
OFFICE PRO 36



OFFICE PRO 36

ILL. NO.	DESCRIPTION	PART NO.	QTY.	MODIFICATION DATE (mm/yy)	REMARKS
1	Casing Assy, Condenser Fan	LA484260-0440	1		
2	Motor Stay, Condenser	LA484340-2960	1		
3	Nut	949056-1430	12		M6x1
4	Fan Motor, Condenser	LA484211-1641	1		
5	Fan, Condenser	LA484221-0480	1		w/Set Screw
6	Ring	LA484381-0640	4		
7	Screw, Tapping	949001-1570	12		D4, L=10
8	Motor Stay, Evaporator	LA484330-053A	1		
9	Fan Motor, Evaporator	LA484211-1651	1		
10	Fan, Evaporator	LA484221-0490	1		w/Set Screw
11	Casing Assy, Evaporator Fan	LA484260-0450	1		
12	Frame Sub-Assy	LA484310-4800	1		
13	Handle, Front	LA484451-0080	1		
14	Bolt	LA480919-0300	2		For Handle (M10x1.5, L=20)
15	Washer, Spring	90258-10001	2		For Handle
16	Box Sub-Assy	LA484520-0820	1		
17	Switch Assy	GX484560-1832	1		Operation Panel & PCB w/ILL.NO.17-1~17-4
17-1	Cover Assy	GX484420-0520	1		Operation Panel
17-2	Stay, Control Panel Left	GX484340-3060	1		
17-3	Stay, Control Panel Right	GX484331-9380	1		
17-4	Screw	949006-5850	9		M4x0.7, L=10
18	Deflector, Air	LA484301-4420	1		

OFFICE PRO 36



OFFICE PRO 36

ILL. NO.	DESCRIPTION	PART NO.	QTY.	MODIFICATION DATE (mm/yy)	REMARKS
1	Box Sub-Assy	GX484520-1090	1		
2	Relay Board	LA484500-2291	1		w/ILL.NO.2-1
2-1	Fuse, Relay Board	LAY65765-0010	1		200mA, 250V
3	Spacer	LA484921-0150	5		
4	Screw w/Washer	91370-03081	5		M3x0.5, L=8
5	Capacitor, Compressor	GX484507-1660	1		370VAC, 55µF
6	Holder	LA484927-1020	1		
7	Capacitor, Evaporator Fan	LA484507-1450	1		440VAC, 5µF
8	Holder	LA484927-0880	2		
9	Capacitor, Condenser Fan	LA484507-1210	1		440VAC, 15µF
10	Relay	LA484531-0680	1		
11	Terminal Block	LA484503-0551	1		For Power
12	Screw	949006-3250	6		M4x0.7, L=10
13	Terminal Block	GX484503-0840	1		For Input/Output Signal
14	Screw w/Washer	91310-03161	2		M3x0.5, L=16
15	Grommet	LA484926-0500	1		
16	Washer, Plate	90200-04331	6		
17	Screw	949006-3280	6		M4x0.7, L=18
18	Grommet	LA484926-0600	2		
19	Grommet	484926-0290	1		
20	Screw	91051-04100	3		Ground (M4x0.7, L=10)
21	Washer, Plate	90201-04300	3		Ground
22	Wire Assy	LA484930-6930	1		
23	Wire Assy	LA484930-8282	1		
24	Wire Assy	LA484930-8291	1		
25	Wire Assy	GX484930-9360	1		Evaporator Fan Capacitor
26	Wire Assy	LA484930-8342	1		(TB)↔(RB)
27	Washer, Plate	90200-03211	5		
28	Wire Assy	GX484930-9370	1		Condenser Fan Capacitor
29	Wire Assy	GX484930-9102	1		Main Harness (RB)↔(CB)

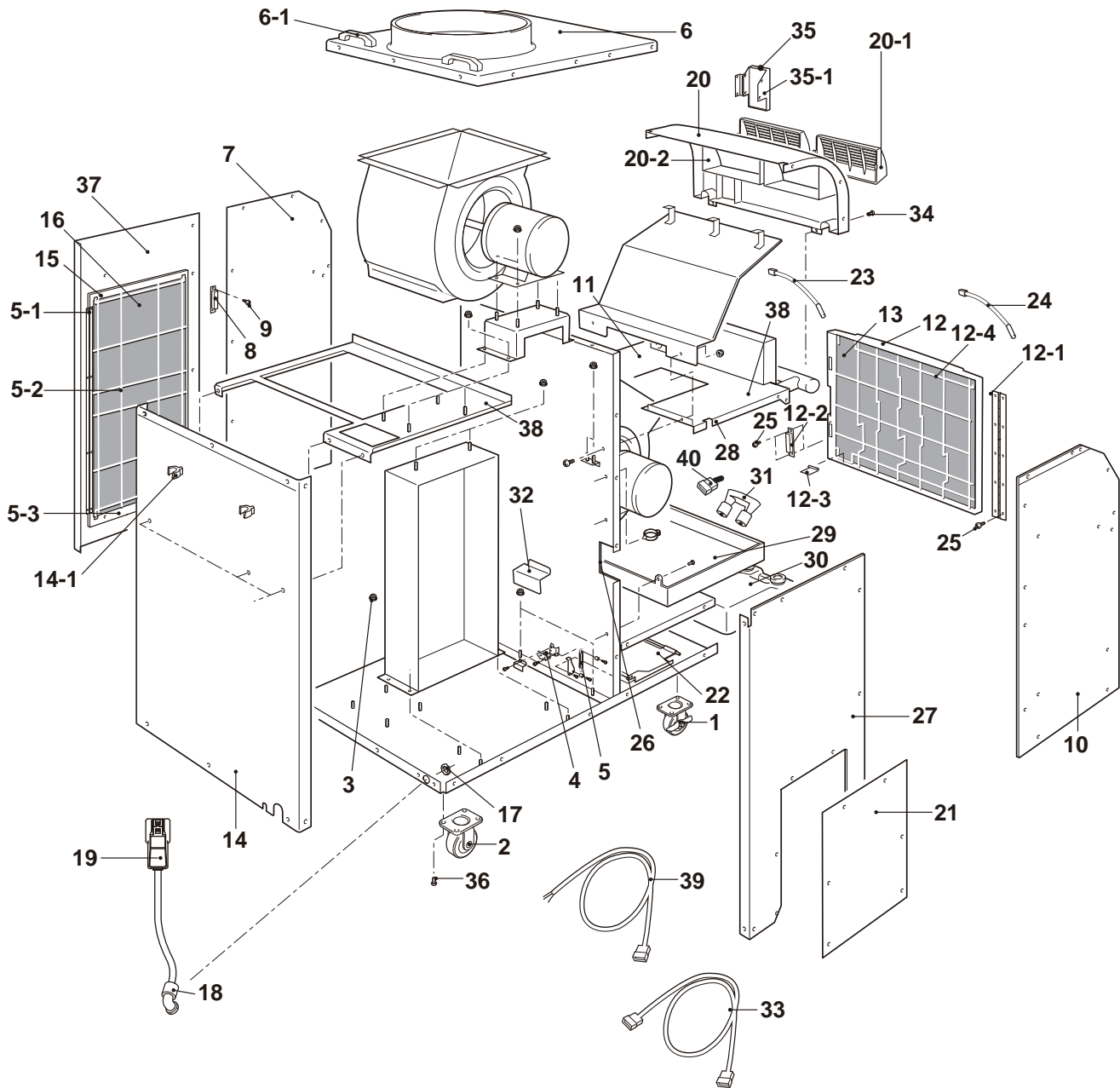
[Memo]

OFFICE PRO 36

Unit Part No: LA484000-3460

Production Period: From December 2004 (1204)
To March 2007 (0307)

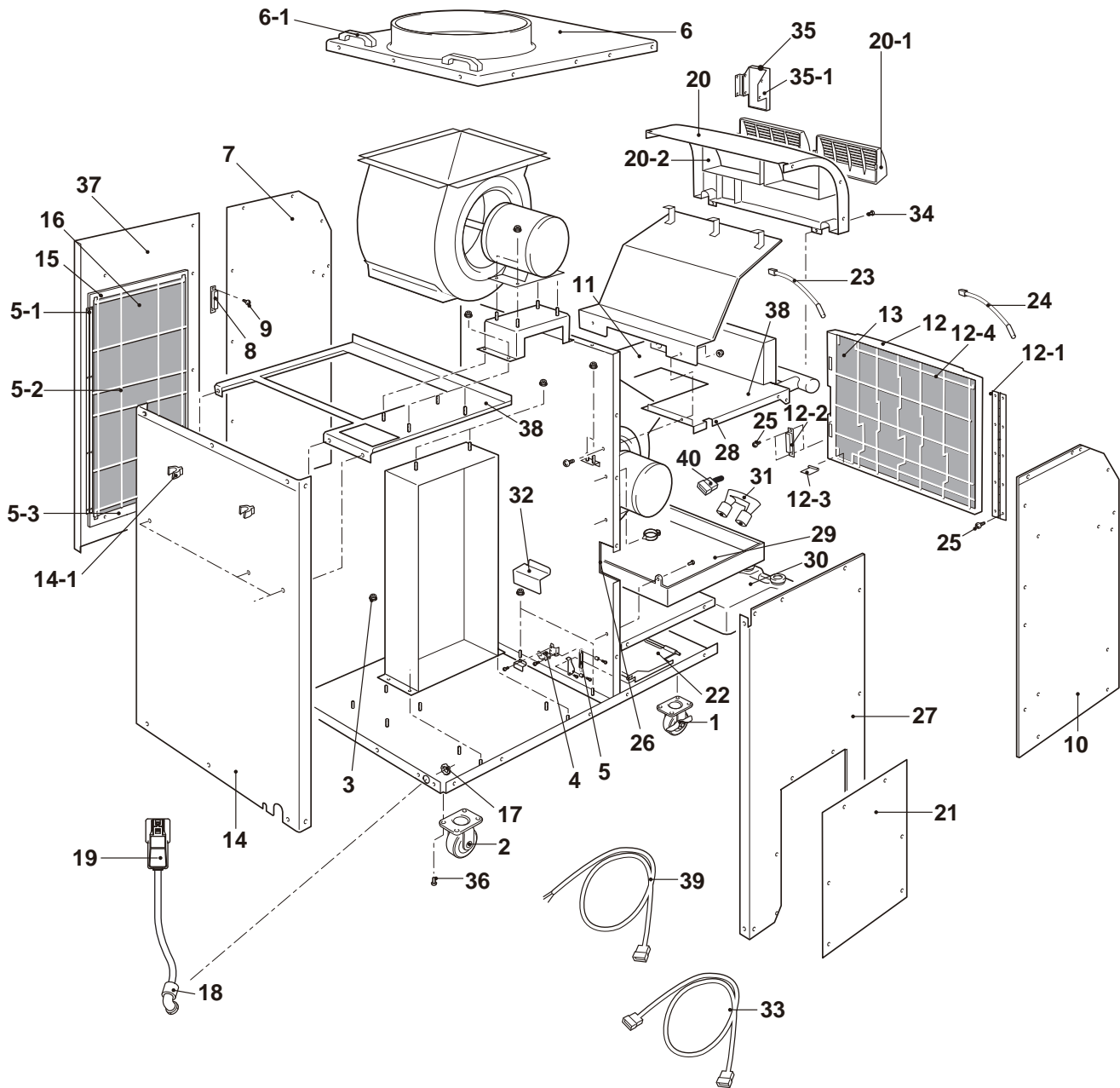
OFFICE PRO 36



OFFICE PRO 36

ILL. NO.	DESCRIPTION	PART NO.	QTY.	MODIFICATION DATE (mm/yy)	REMARKS
1	Caster w/ Brake	LA484702-0350	2		
2	Caster	LA484702-0360	2		
3	Nut	949056-1430	8		M6x1.0
4	Switch Assy, Drain Tank	LA484502-0380	1		
5	Spring, Tension Coil	484917-0280	2		For Drain Tank
6	Panel, Top	LA484410-7560	1		w/Handles w/ILL.NO.6-1
6-1	Handle, Rear	LA484451-0100	2		w/2 Bolts
7	Panel, Right	LA484410-7520	1		
8	Holder (Magnet Type)	484927-0990	2		
9	Screw	949006-4440	4		M3x0.5, L=8
10	Panel, Left Side Front	LA484410-7530	1		M3x0.5, L=8
11	Grommet, Thermistor	949320-5270	2		
12	Panel Assy (Evaporator)	LA484410-7600	1		w/Packing, Pins, Hinge & Filter w/ILL.NO.12-1~12-4
12-1	Hinge, Evaporator Panel	LA484912-0092	1		
12-2	Door Holder	LA484927-1010	2		
12-3	Clip	LAY84917-0050	1		
12-4	Frame, Evaporator Filter	LA484310-4820	1		Evaporator
13	Filter (Evaporator)	LA484401-1640	1		
14	Panel, Rear	LA484410-7571	1		w/ILL.NO.14-1
14-1	Power Cord Clip	LA484917-0470	2		
15	Panel Assy, Cond. Door	LA484410-7590	1		w/ILL.NO.15-1~15-3
15-1	Hinge, Condenser Panel	LA484912-0062	2		
15-2	Frame, Condenser Filter	LA484301-4430	1		
15-3	Ring, Plate	LA481641-0050	4		
16	Filter (Condenser)	LA484401-1630	1		
17	Retainer, Power Cord	LA484919-0100	1		
18	Connector	LA484784-0040	1		Power Cord Strain Relief
19	Power Cord Assy	GX484930-9980	1		
20	Fascia	LA484410-6021	1		ILL.NO.20-1~20-2
20-1	Air Louver, Outlet	LA480431-0101	2		
20-2	Pin	LA484913-0070	6		
21	Panel, Service	LA484410-7580	1		
22	Pivot Panel	LA484300-1650	1		For Drain Tank
23	Thermistor, Room Temp.	LAY84532-0021	1		
24	Thermistor, Anti-Freeze Up	LA484532-0041	1		
25	Screw, Tapping	LA949001-1730	10		D4, L=16
26	Grommet, Pipe	484926-0610	1		
27	Panel, Left Side Rear	LA484410-7550	1		
28	Grommet	484926-0290	3		
29	Drain Pan Assy	LA484430-0570	1		
30	Tank, Drain	484730-0010	2		

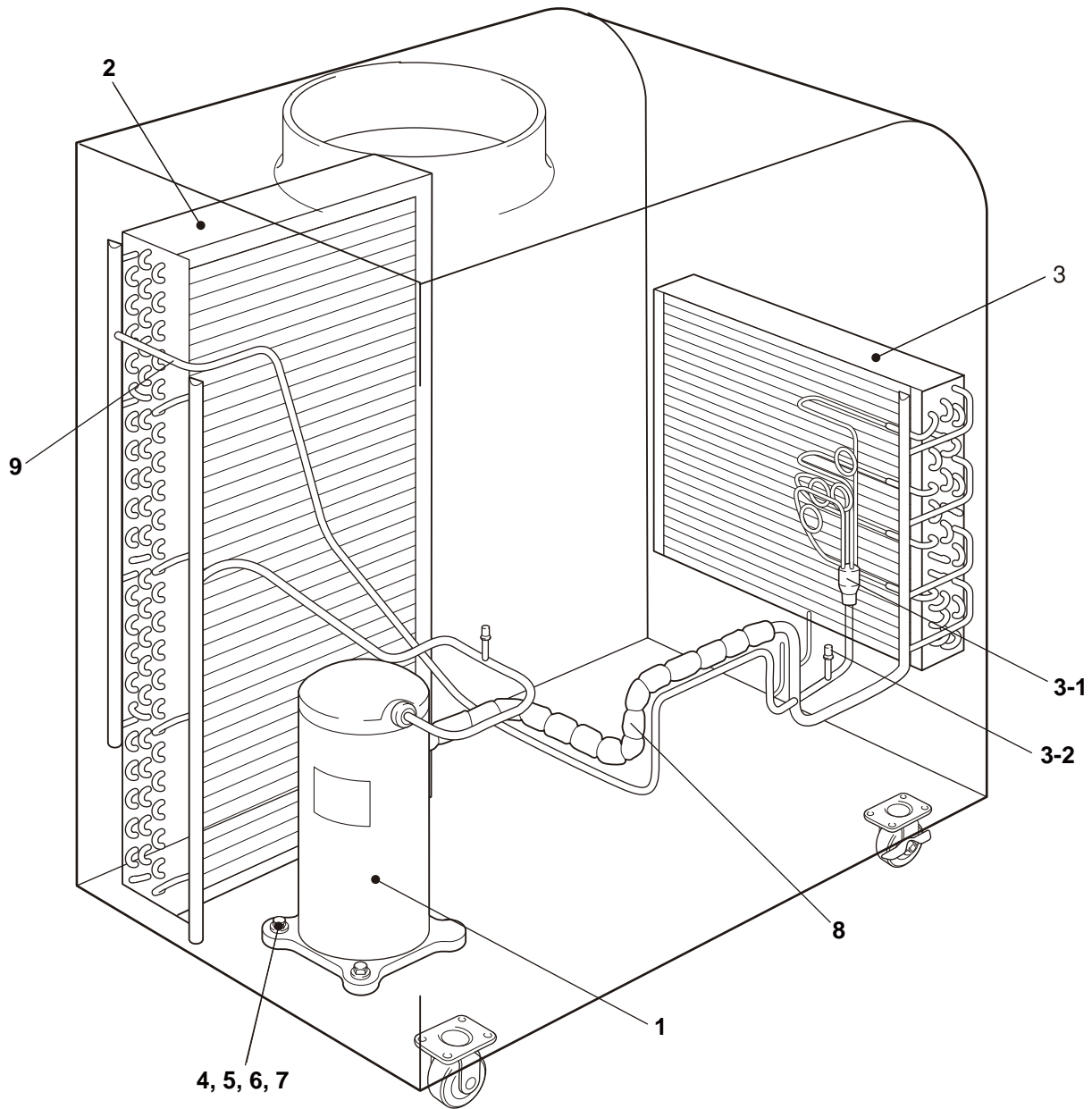
OFFICE PRO 36



OFFICE PRO 36

ILL. NO.	DESCRIPTION	PART NO.	QTY.	MODIFICATION DATE (mm/yy)	REMARKS
31	Condensate Float	484460-0010	1		Diverts Water to Both Tanks
32	Cover, Drain Switch	LAY84390-0010	1		
33	Wire Harness	LA484930-8270	1		(RB)↔(CB)
34	Screw	949006-5850	34		M4x0.7, L=10
35	Switch Assy	LA484560-1651	1		Operation Panel & PCB w/ILL.NO.35-1
35-1	Cover Assy	GX484420-0560	1		Operation Panel
36	Nut, Hex	LA480929-0140	16		w/Washers (M10x1.5)
37	Panel Assy, Right Rear	LA484410-7540	1		
38	Grommet	LA484926-0500	3		
39	Harness, Condensate Pump Adapter	LA484930-8321	1		Pump
40	Connector, Jumper	LA484930-8181	1		Drain Pump

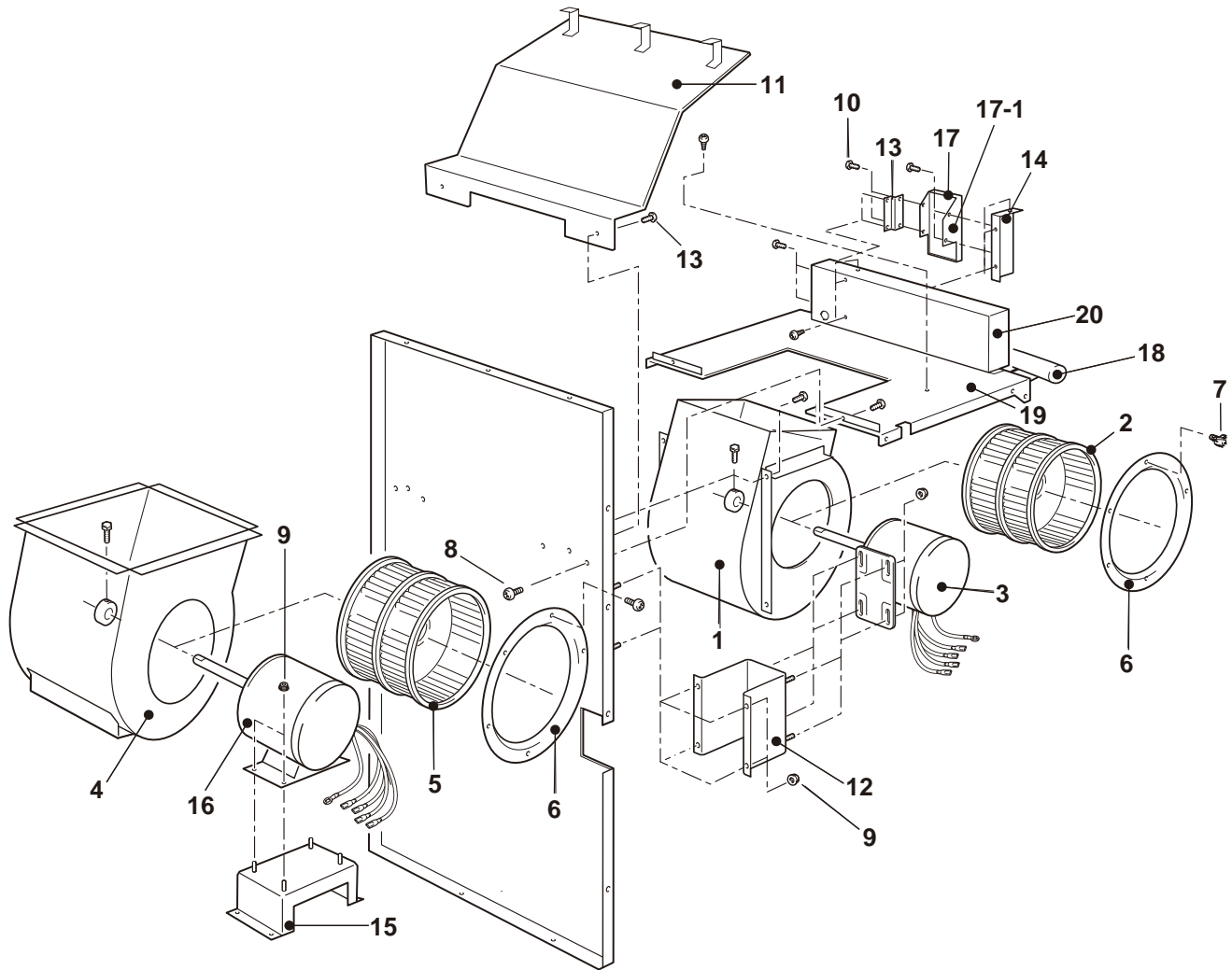
OFFICE PRO 36



OFFICE PRO 36

ILL. NO.	DESCRIPTION	PART NO.	QTY.	MODIFICATION DATE (mm/yy)	REMARKS
1	Compressor Assy	LA484650-2180	1		
2	Core Assy, Condenser	LA484600-1970	1		w/Pipes
3	Core Assy, Evaporator	LA484600-1980	1		w/ILL.NO.3-1~3-2
3-1	Pipe Assy, Capillary	LA484800-3990	1		
3-2	Switch Assy, Pressure	LA484660-0420	1		w/Tube
4	Cushion	LA484904-0220	4		
5	Collar	LA484915-0280	4		
6	Washer, Steel Plate	949011-5330	4		
7	Nut	90190-08651	4		M8x1.25
8	Pipe Assy, Connecting	LA480261-1910	1		For Suction
9	Pipe Assy, Connecting	LA484800-3980	1		For Discharge

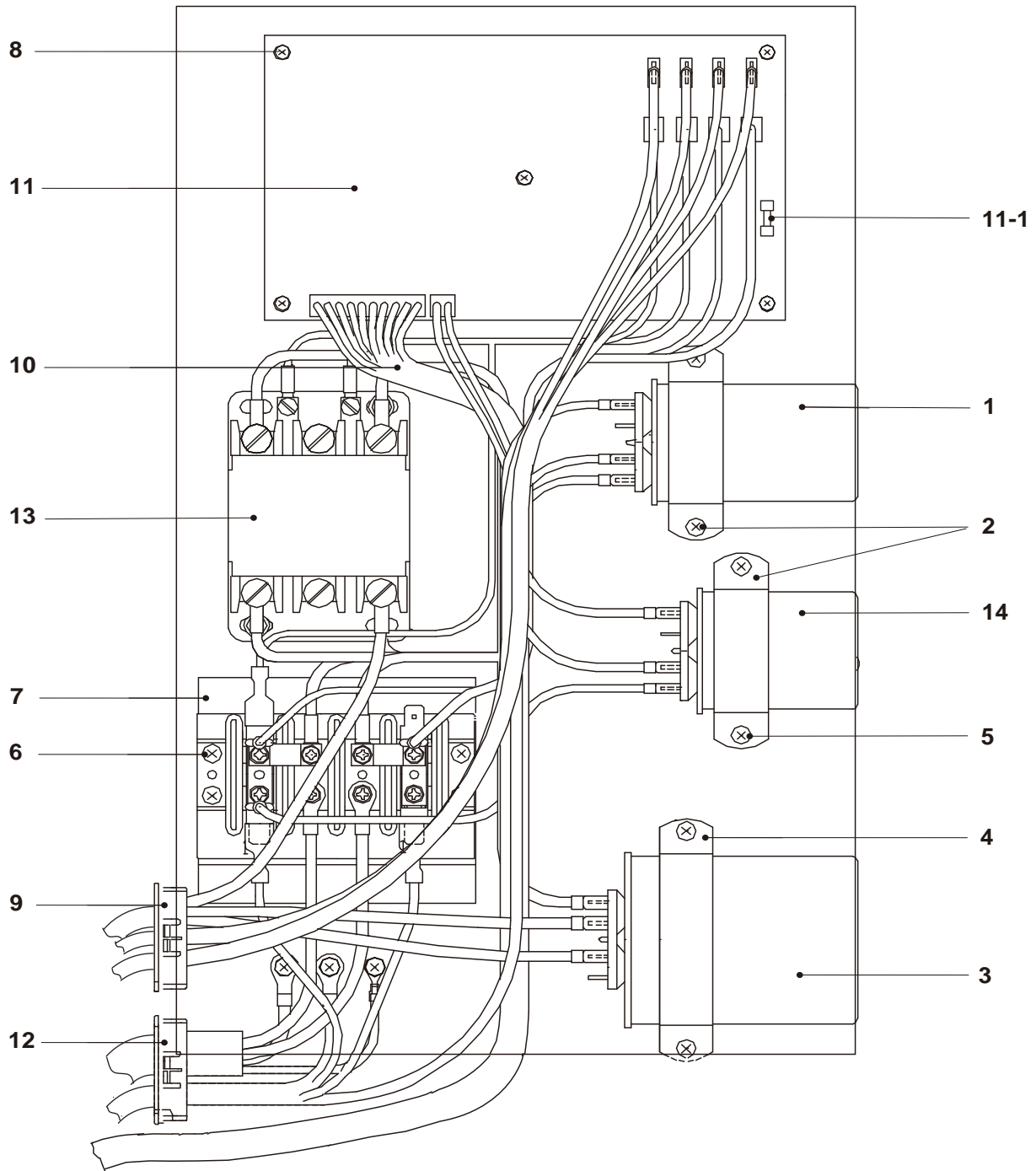
OFFICE PRO 36



OFFICE PRO 36

ILL. NO.	DESCRIPTION	PART NO.	QTY.	MODIFICATION DATE (mm/yy)	REMARKS
1	Casing, Evaporator Fan	LA480420-0080	1		
2	Fan, Evaporator	LA484221-0490	1		w/Bolt
3	Fan Motor (Evaporator)	LA484211-1651	1		
4	Casing Assy, Condenser Fan	LA484260-0440	1		
5	Fan, Condenser	LA484221-0480	1		w/Bolt
6	Ring, Inlet	LA484381-0640	4		
7	Screw, Tapping	949001-1570	12		D4, L10
8	Screw w/Washer	91370-06121	2		M6x1, L=12
9	Nut	949056-1430	12		M6x1
10	Screw	949006-5850	34		M4x0.7, L=10
11	Deflector, Air	LA484301-4420	1		
12	Evaporator Motor Stay	LA484330-053A	1		
13	Stay, Control Panel Right	LA484331-7450	1		
14	Stay, Control Panel Left	LA484331-7440	1		Stay Front
15	Condenser, Motor Stay Assy	LA484340-2960	1		Assembly w/6 Bolts
16	Motor, Condenser	LA484211-1641	1		
17	Switch Assy	LA484560-1651	1		Operation Panel & PCB w/ILL.NO.17-1
17-1	Cover Assy	GX484420-0560	1		Operation Panel
18	Handle, Front	LA484451-0080	1		
19	Frame	LA484310-4800	1		
20	Box	LA484520-0820	1		

OFFICE PRO 36



OFFICE PRO 36

ILL. NO.	DESCRIPTION	PART NO.	QTY.	MODIFICATION DATE (mm/yy)	REMARKS
1	Capacitor, Fan Condenser	LA484507-1210	1		440VAC, 15 μ F
2	Holder	LA484927-0880	2		
3	Capacitor, Compressor	LA484507-0960	1		440VAC, 50 μ F
4	Holder	LA484927-1020	1		
5	Screw	949006-3250	6		M4x0.7, L=10
6	Screw	949006-3280	6		w/Washer (M4x0.7, L=18)
7	Terminal Block	LA484503-0551	1		(TB)
8	Screw	91370-03081	5		w/Washer (M3x0.5, L=8)
9	Grommet	LA484926-0600	2		
10	Wire Assy	LA484930-8270	1		(CB) \leftrightarrow (RB)
11	Relay Board Assy	LA484500-2291	1		(RB) 230V w/ILL.NO.11-1
11-1	Fuse, Relay Board	LAY65765-0010	1		200mA, 250V
12	Grommet	484926-0290	1		
13	Relay, Compressor	LA484531-0680	1		
14	Capacitor, Fan Evaporator	LA484507-1450	1		440VAC, 5 μ F

DENSO

DENSO SALES CALIFORNIA, INC.

Long Beach, CA 90810

www.movincool.com

First Issue: July 2008