

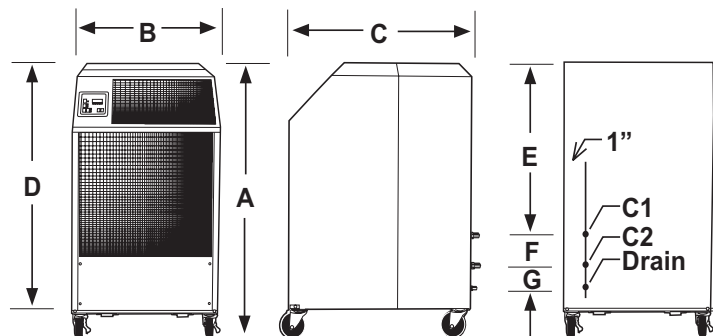
OceanAire

AquaCooler

Deluxe Water-Cooled Portable Air Conditioners

SPECIFICATIONS

MODEL: OWC	1211	1811	2412	3612	3632	3634	6012	6032	6034	
Nominal Cooling Capacity ¹	12,000	18,000	23,950	36,100	36,100	36,100	60,100	60,100	60,100	
Voltage (Volts/Phase) at 60Hz	115/1		208-230/1		208-230/3		460/3	208-230/1	208-230/3	460/3
Unit Amps ⁵	8.1	11.3	9.9	12.0	9.3	4.7	23.7	16.5	6.3	
Unit Watts ⁵	930	1300	2100	2700	2700	2700	5000	5000	5000	
In Rush Current (Amps) ⁶	70	90	86.5	99.5	88	88	160	140	140	
Plug Type	5-15P	5-15P	6-20P	6-20P	L15-20P	L16-20P	6-30P	L15-30P	L16-20P	
EER	12.9	13.8	11.4	13.4	13.4	13.4	12.0	12.0	12.0	
Compressor HP	1	1 1/2	2	3	3	3	5	5	5	
Compressor RLA	9.5	12.3	10.5	13.6	8.8	5.0	27.6	181	9.0	
Compressor LRA	50	63	48	83	77	35	158	137	62	
Evap CFM ²	400	600	810	1310	1310	1310	1950	1950	1950	
Evap Motor HP	1/8	1/8	1/3	1/3	1/3	1/3	1	1	1	
Evap Motor Watts	200	210	350	375	375	375	550	550	550	
Dimension E (in.)	18	21 1/2		29 1/2			32 3/4			
Dimension F (in.)	5 1/2	6		6			6			
Dimension G (in.)	3 1/2	4 1/2		4 1/2			4 1/2			
Cond Water Flow (GPM) at 60°F inlet	0.75	1.1	1.55	2.2	2.2	2.2	5.5	5.5	5.5	
at 85°F inlet	3	4.5	6	9	9	9	15	15	15	
Cond Coil Pressure Drop-PSI	0.4	0.4	0.2	0.4	0.4	0.4	0.4	0.4	0.4	
Water Valve Pressure Drop PSI	2.0									
Water Valve Connection ⁴	3/8 MF			5/8 MF						
Drain (Return) Connection	3/8 MF			5/8 MF						
Condensate Pump (ALL UNITS)	20 Ft Lift - 3/8 MF Connection On Unit - DRAIN									
Sound Level ³	52	57	60	62	62	62	69	69	69	
R-410A Charge Oz.	14	18	16	24	24	24	52	52	52	
(A) Height with Casters (in.)	31 1/2	37 1/2		50-1/4			52-1/2			
(D) Height Without Casters (in.)	28 1/2	34 1/2		45			46-1/4			
(B) Width (in.)	20 1/8	24 1/4		28 1/4						
(C) Depth (in.)	13 1/8	13		18			39			
Net Weight (lb.)	110	150	160	240		270	460		520	
Shipping Weight (lb.)	130	170	180	270		300	500		560	
Shipping Volume (cu.ft.)	9	12		23			46			



WATER CONNECTIONS

For Model 12, C1 = WATER OUT, C2 = WATER IN

For Models 18, 24, 36 & 60, C1 = WATER IN, C2 = WATER OUT



Specifications subject to change without notice

- Nominal capacity is total BTUH at 80°DB/67°WB return air, high fan speed, with 85°EWT to 95°LWT (3 GPM per Ton)
- CFM with free discharge
- Sound Pressure, dB at 5 feet, commercial operation
- 3/8" water valve on models 12, 18, 24 (with 3/8" flare fitting), 3/4" water valve on models 36, 60 (with 5/8" flare fitting)
- Amps and Watts at 208 Volts
- Time delay fuses/circuit breakers are recommended

Ambient operating range 65° to 105°

May operate to 55° if equipped with optional hot gas bypass (factory installed)

50 Hz MODELS AVAILABLE - CONSULT FACTORY

Toll Free: 877-823-2722