

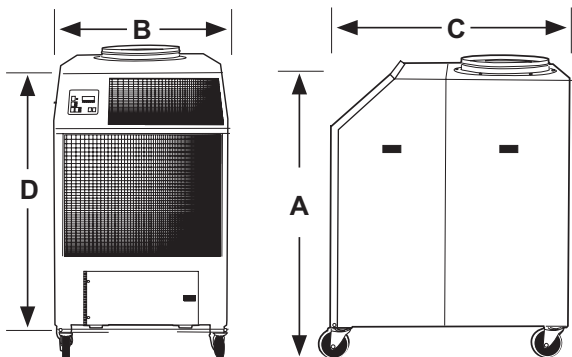
OceanAir

ConvertibleAir

Deluxe Air-Cooled Portable Heat Pumps

SPECIFICATIONS

MODEL: 2OACH	1211	1811	2412	3612	3632	3634	6012	6032	6034
Cooling Capacity ¹	11,800	16,800	24,020	36,050	36,050	36,050	60,050	60,050	60,050
Heating Capacity ¹	11,000	15,600	24,020	32,500	32,500	32,500	53,500	53,500	53,500
Voltage (V/Phase) at 60Hz	115/1		208-230/1	208-230/1	208-230/3	460/3	208-230/1	208-230/3	460/3
Cooling Amps ⁶	10.4	14.1	14.9	18.1	17.2	8.7	32.0	20.4	14.8
Cooling Watts ⁶	1180	1670	2700	3620	3620	3620	6000	6000	6000
In Rush Current (Amps)	77.5	100.5	90	140	122	122	169	140	140
Plug Type	5-15P	5-20P	6-20P	6-30P	L15-30P	L16-20P	6-50P	L15-30P	L16-20P
EER ³	10.0	10.0	8.9	10.0	10.0	10.0	10.0	10.0	10.0
Compressor HP	1	1 1/2	2	3	3	3	5	5	5
Compressor RLA	9.5	12.3	10.5	13.6	8.8	5.0	27.6	18.1	9.0
Compressor LRA	50	63	48	83	77	35	158	137	62
Evap CFM ⁴	400	600	810	1310	1310	1310	1950	1950	1950
Evap Motor HP	1/8	1/8	1/3	1/3	1/3	1/3	1	1	1
Evap Motor Watts	200	210	350	375	375	375	550	550	550
Condenser CFM	580	930	1010	1390	1390	1390	2200	2200	2200
Condenser Motor HP	1/8	1/8	1/3	1	1	1	1	1	1
Condenser Motor Watts	280	450	330	750	750	750	750	750	750
Condensate	5 Gallon Condensate Tank - STANDARD (Pump Optional)						Pump -STANDARD (20 ft. Lift)		
Sound Level ⁵	54	60	65	69			78		
R-410A Charge Oz.	18	40	37	66			80		
(A) Height with Casters (in.)	36 1/2	44 1/2		50-1/4			52 1/4		
(B) Width (in.)	20	24		28					
(C) Depth (in.)	25	30		35			39		
(D) Height w/o Casters (in.)	32 1/2	39* 1/2		45			46		
Net Weight (lb.)	180	260	260	365		380	485	485	515
Shipping Weight (lb.)	200	285	285	405		420	525	525	555
Shipping Volume (cu. ft.)	19	28		40			48		



Note: Condenser inlet air plenum adds 13 inches to dimension "C"



Specifications subject to change without notice

1. Cooling Capacity is total BTUH at 80°F DB/67°F WB return air, 95°F (Outdoor), at high fan speed. Heating Capacity is total BTUH at 70°F DB/60°F WB (Indoor), 47°F DB/43°F WB (Outdoor)
2. Time Delay fuses/circuit breakers are recommended
3. EER is determined at high fan speed, with condenser discharge air ducted out of area
4. CFM with free discharge
5. Sound Pressure, dB at 5 feet, commercial operation
6. Amps & Watts at 208 Volts

Ambient operating range 65° to 105°

May operate down to 55° if equipped with hot gas bypass (Optional)

50 Hz MODELS AVAILABLE - CONSULT FACTORY

Toll Free: 877-823-2722